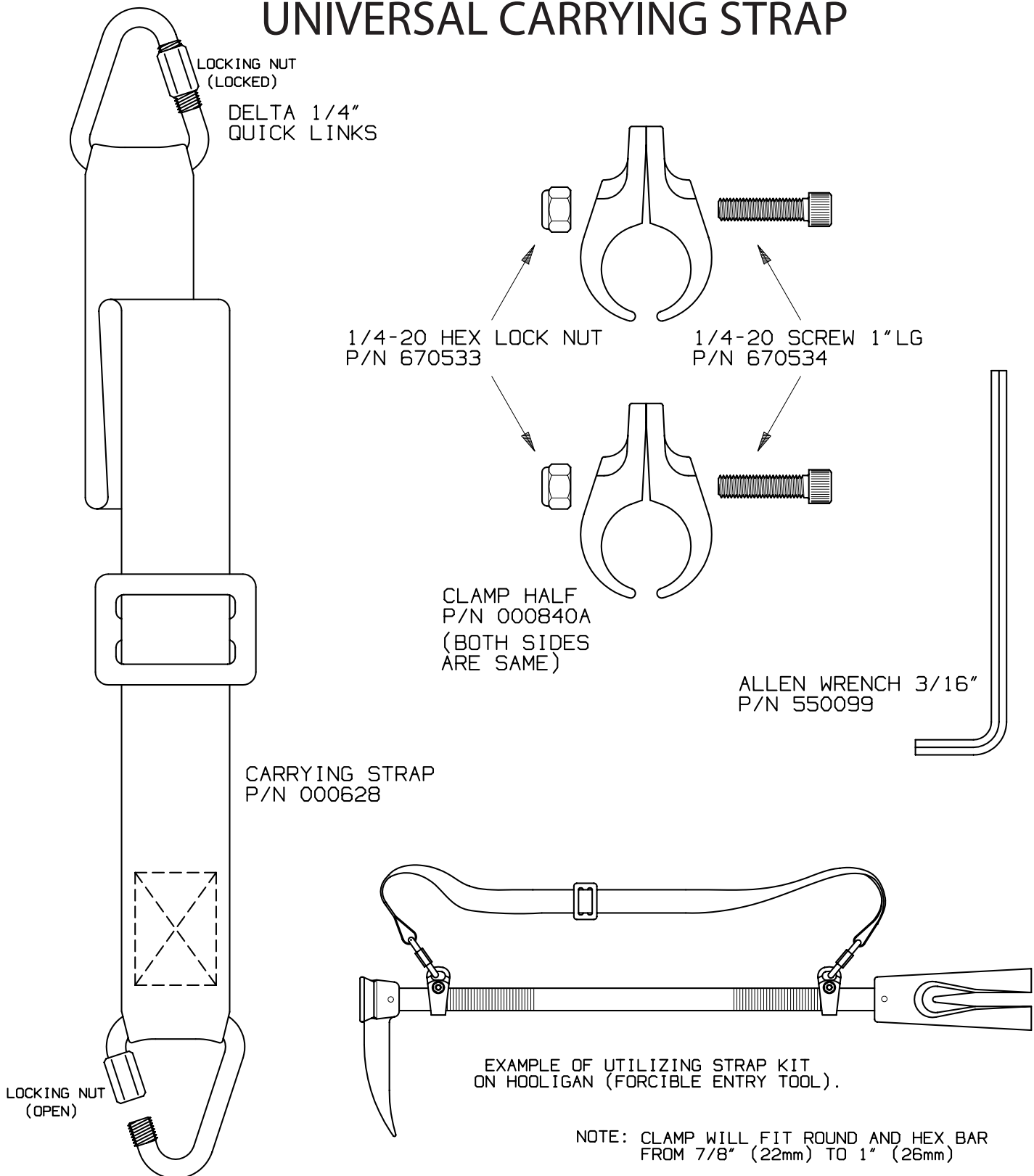


PARATECH®

22-000842

UNIVERSAL CARRYING STRAP



PARATECH INCORPORATED P.O. BOX 1000, FRANKFORT, IL 60423 U.S.A

p.815-469-3911 f.815-469-7748 paratech@paratech-inc.com

www.paratech.us