

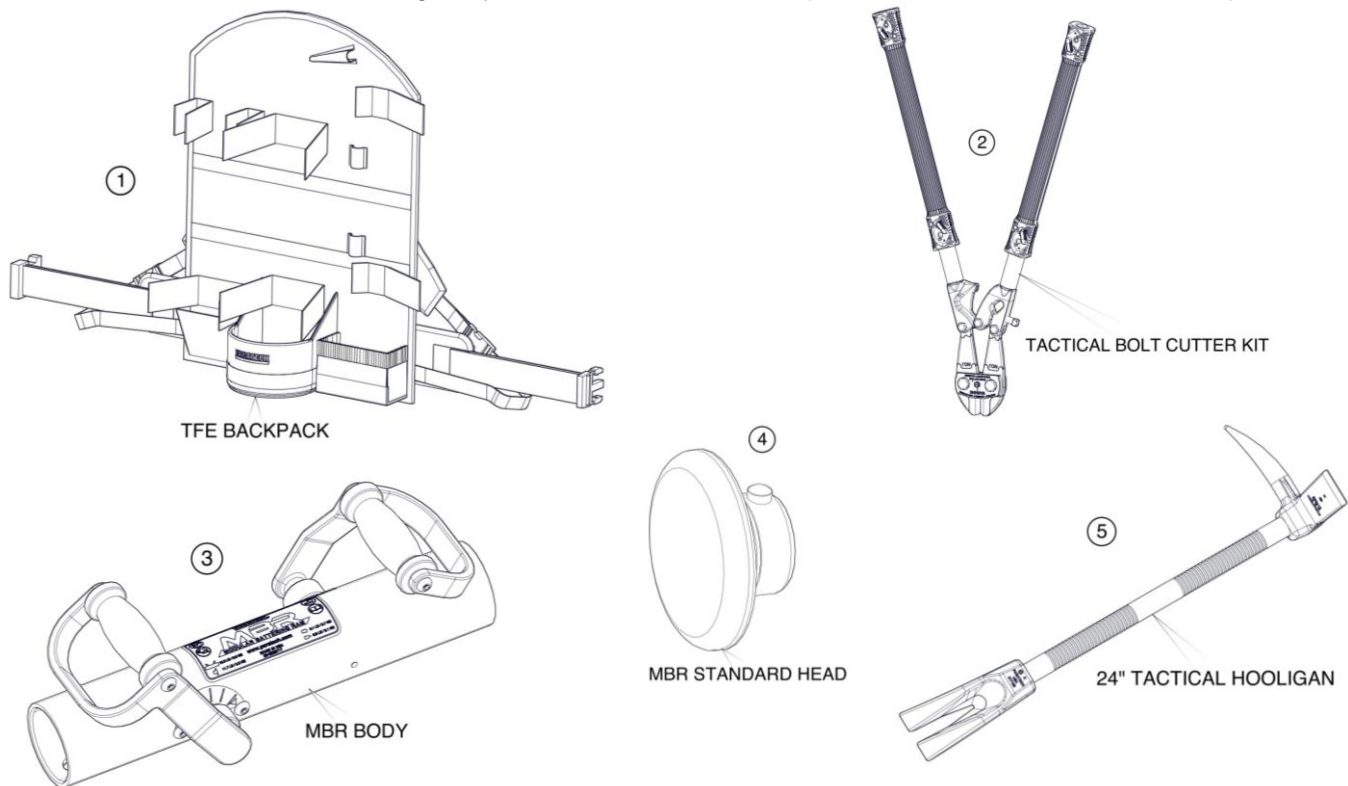
INSTRUCTION SHEET TACTICAL FORCIBLE ENTRY (TFE) BACKPACK KIT PN: 22-000880T

COMPONENTS (FIGURE-1):

1. TFE Backpack, PN 22-000879T: Backpack for use with listed Paratech Forcible Entry Tools, designed for forcible entry teams that require easy breaching tool access, multiple tool storage, and comfort. Component weight, 4.0 lbs. (1.8 kg).
2. Tactical Bolt Cutter Kit (TBC), PN 22-000900T: Industrial grade cutters for use on locks, bolts, cable, bars, chain, strapping steel, wire, fence, etc. Handles are removable and functional with all Tactical Response Kit (TRK) tools. Component weight, 9.4 lbs. (4.2 kg). Refer to the TBC Kit Instruction Sheet for proper tool operation.
3. Modular Battering Ram (MBR) Body, PN 22-000871T: High strength tubing with ends that accept any one of three modular heads or a coupler for versatile breaching. Component weight, 15.3 lbs. (6.9 kg). Refer to the MBR Instruction Sheet for proper tool operation.
4. MBR Standard Head, PN 22-015610T: Designed to produce maximum impact force with a large surface area and rounded edges to disperse energy evenly onto the breaching surface. Component weight, 11.7 lbs. (5.3 kg).
5. 24" Tactical Hooligan Tool, PN 22-000599T: One of the world's most popular forcible entry tools with forged steel head/claw and stress proof handle to pound, puncture, pry and twist. Component weight, 9.2 lbs. (4.2 kg). Refer to the Hooligan Instruction Sheet for proper tool operation.

FIGURE-1

Note: All listed tools have a non-glossy black finish that is acceptable for use in covert tactical operations.

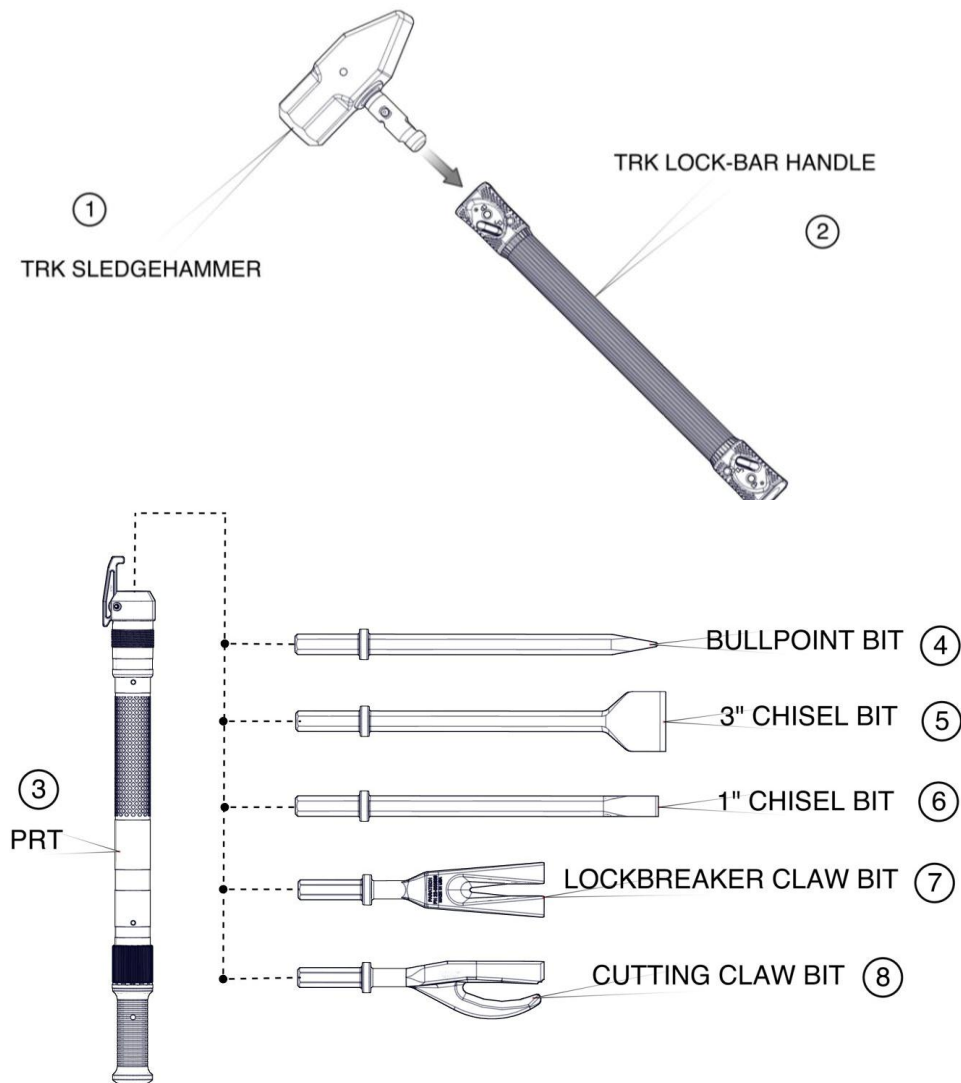


OPTIONAL COMPONENTS (FIGURE-2):

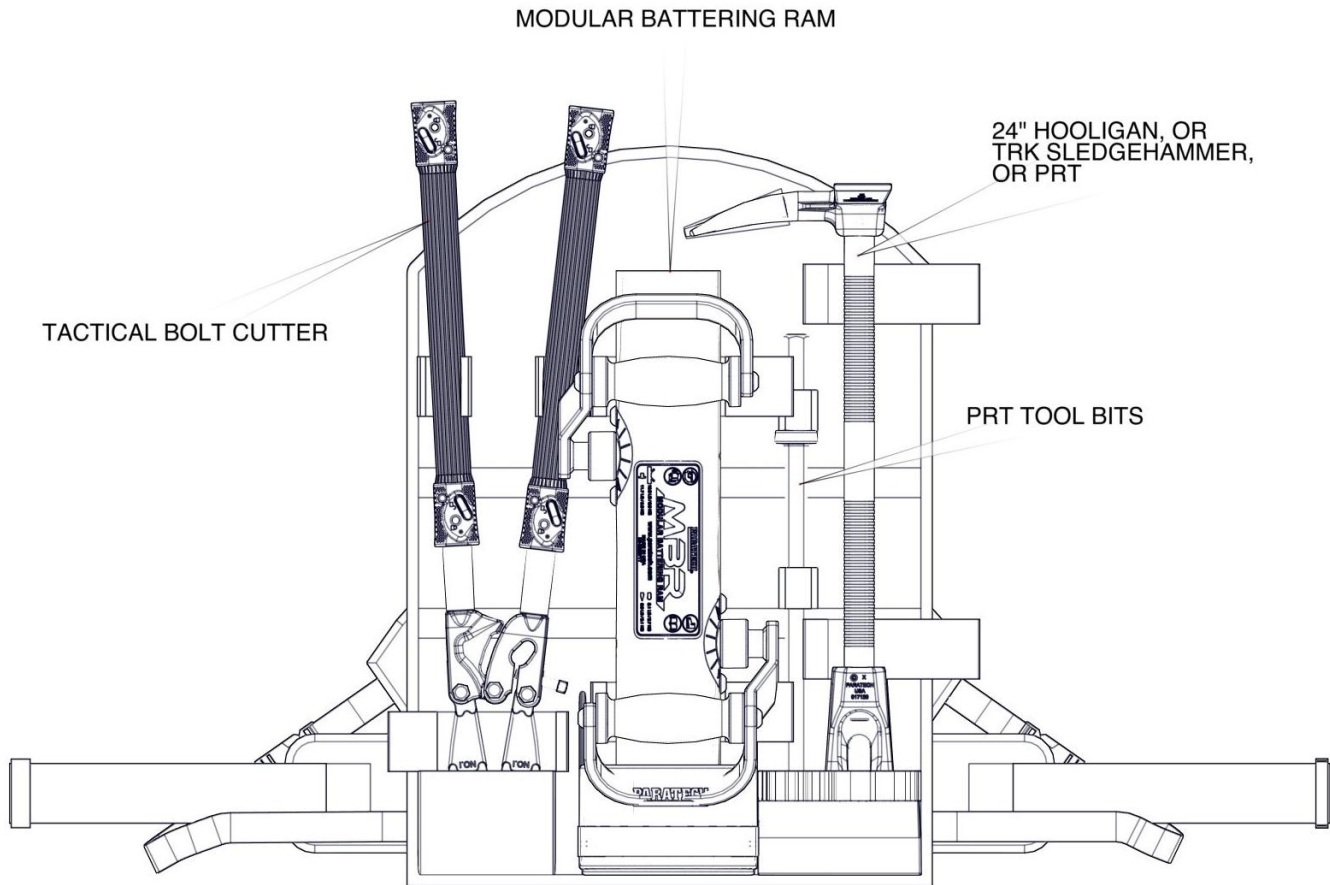
1. TRK Sledgehammer, PN 22-000994T: Medium duty sledge hammer perfect for breaking through concrete and general hammering applications. Handle sold separately. Component weight, 4.9 lbs. (2.2 kg). Refer to the TRK Instruction Sheet for proper tool operation.
2. TRK Lock-Bar Handle, PN 22-000960T: Independent, removable, and functional with all Tactical Response Kit (TRK) tools. Component weight, 2.3 lbs. (1 kg).
3. Percussive Response Tool (PRT), PN 22-000627T: A powerful hand held forcible entry tool that applies impact precisely, through a slam and ram action, which is safer and more effective than a sledge hammer and wedge. Component weight, 9.95 lbs. (4.5 kg).
4. PRT Bullpoint Bit, PN 22-098101T: Forged steel with a pointed tip that is ideal for piercing and penetrating. Component weight, 3.3 lbs. (1.5 kg).
5. PRT 3" Chisel Bit, PN 22-098107T: Forged steel with a wide flat tip for chipping away at large surfaces. Component weight, 3.8 lbs. (1.72 kg).
6. PRT 1" Chisel Bit, PN 22-098111T: Forged steel with a thin flat tip to chip and break barriers in small sections. Component weight, 3.3 lbs. (1.5 kg).
7. PRT Lockbreaker Claw Bit, PN 22-000636T: Forged steel with a curved profile for prying and a fork that fits perfectly around locks. Component weight, 3.7 lbs. (1.68 kg).
8. PRT Cutting Claw Bit, PN 22-000637T: Forged steel and machine sharpened cutter uses the can opener principle to shear heavy gauge metals and composites. Component weight, 3.1 lbs. (1.4 kg).

FIGURE-2

Note: All listed tools have a non-glossy black finish that is acceptable for use in covert tactical operations.



BACKPACK STORAGE LAYOUT (FIGURE-3):



TOOL MAINTANENCE:

- Cold sharpen tool blades as required; do not allow heat to blue the metal, this will soften the cutting tip. Blades should not be razor sharp.
- Use flat black touch up paint on any scratched, damaged, or sharpened surface.
- Order TBC replacement cutter head PN 22-000926T to repair worn or damaged cutter jaws.

TFE BACKPACK LIMITED WARRANTY

Each **TFE BACKPACK** or component thereof, manufactured by Paratech Incorporated, has been thoroughly inspected and properly adjusted before shipment to insure the highest quality and the greatest possible reliability.

Paratech Incorporated (hereinafter referred to as "Seller") hereby warrants the **TFE BACKPACK** or component thereof to the original retail buyer only against defects in material and workmanship under normal use and service for a period of one year from the date of purchase. This warranty shall constitute the sole warranty of the Seller with respect to the **TFE BACKPACK** or component thereof. **THE SELLER HEREBY DISCLAIMS AND EXCLUDES ALL OTHER WARRANTIES, EXPRESSED OR IMPLIED, INCLUDING ANY IMPLIED WARRANTY OR MERCHANTABILITY OR FITNESS FOR A PARTICULAR PURPOSE.** The Seller neither assumes nor authorizes any other person to assume for it any other obligations or liabilities in connection with the sale or use of this product.

Should there be any defects in the material or workmanship of the **TFE BACKPACK**; buyer should return the defective product to the factory for inspection with shipping prepaid within one year from the date of purchase. If inspection shows that the **TFE BACKPACK** or a component thereof is defective and that such defects were not caused by negligence, misuse, accident or unauthorized service, the product sold hereunder will be repaired or replaced at the option of the Seller, without charge, FOB at the factory, Frankfort, Illinois.

THIS REMEDY SHALL BE THE EXCLUSIVE REMEDY FOR BREACH OF WARRANTY WITH RESPECT TO THE TFE BACKPACK OR COMPONENTS THEREOF. THE SELLER SHALL NOT BE LIABLE FOR INCIDENTAL OR CONSEQUENTIAL DAMAGES RESULTING FROM ANY BREACH OF WARRANTY WITH RESPECT TO THE TFE BACKPACK AND COMPONENTS THEREOF FROM ANY DELAY IN THE PERFORMANCE OF THE REMEDY HEREUNDER.

PARATECH[®]

Paratech Incorporated
P.O. Box 1000
Frankfort, IL 60432 USA

Phone: 815.469.3911
Fax: 815.469.7748
www.paratech.com
E-mail: paratech@paratech.us