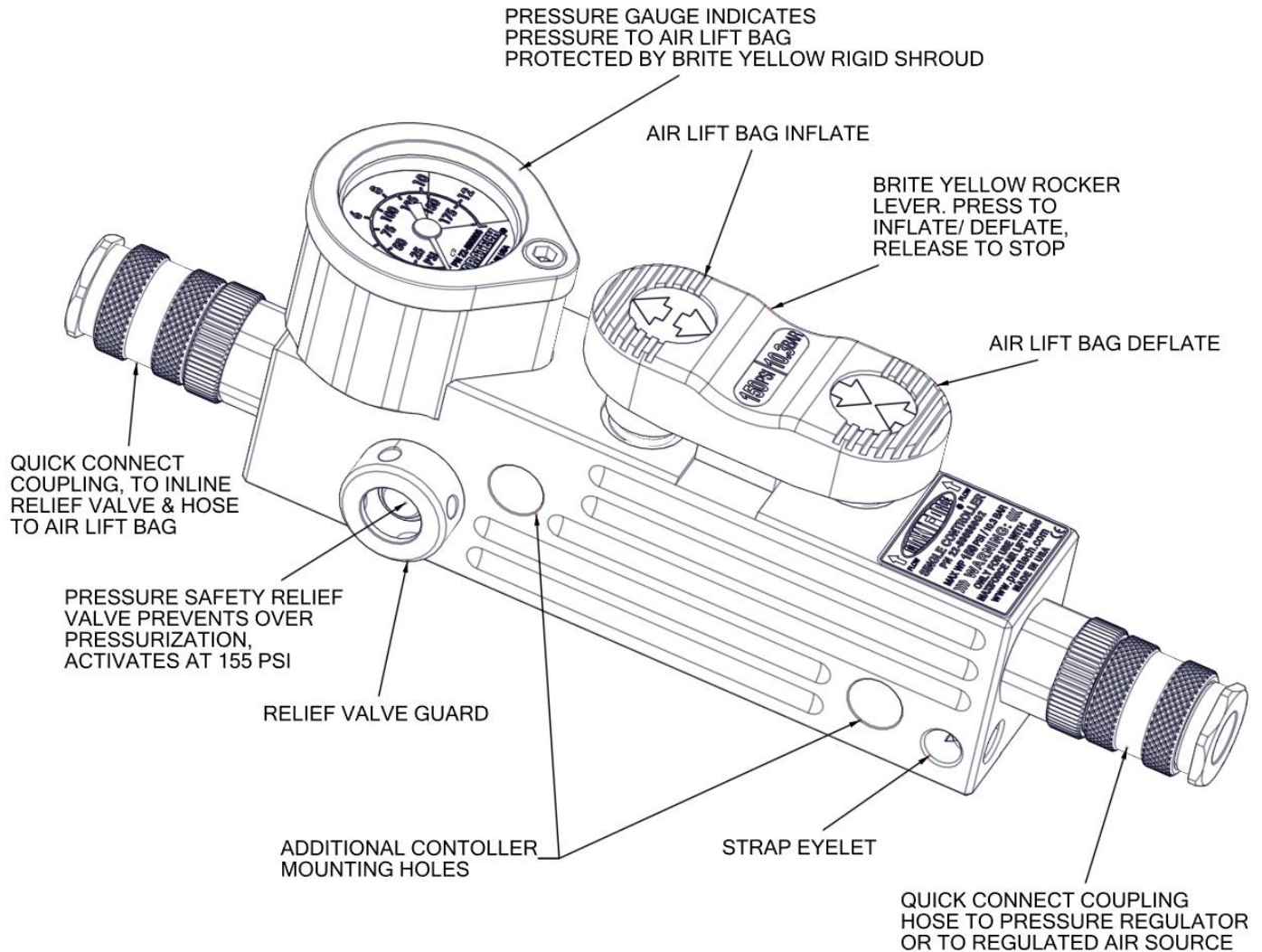
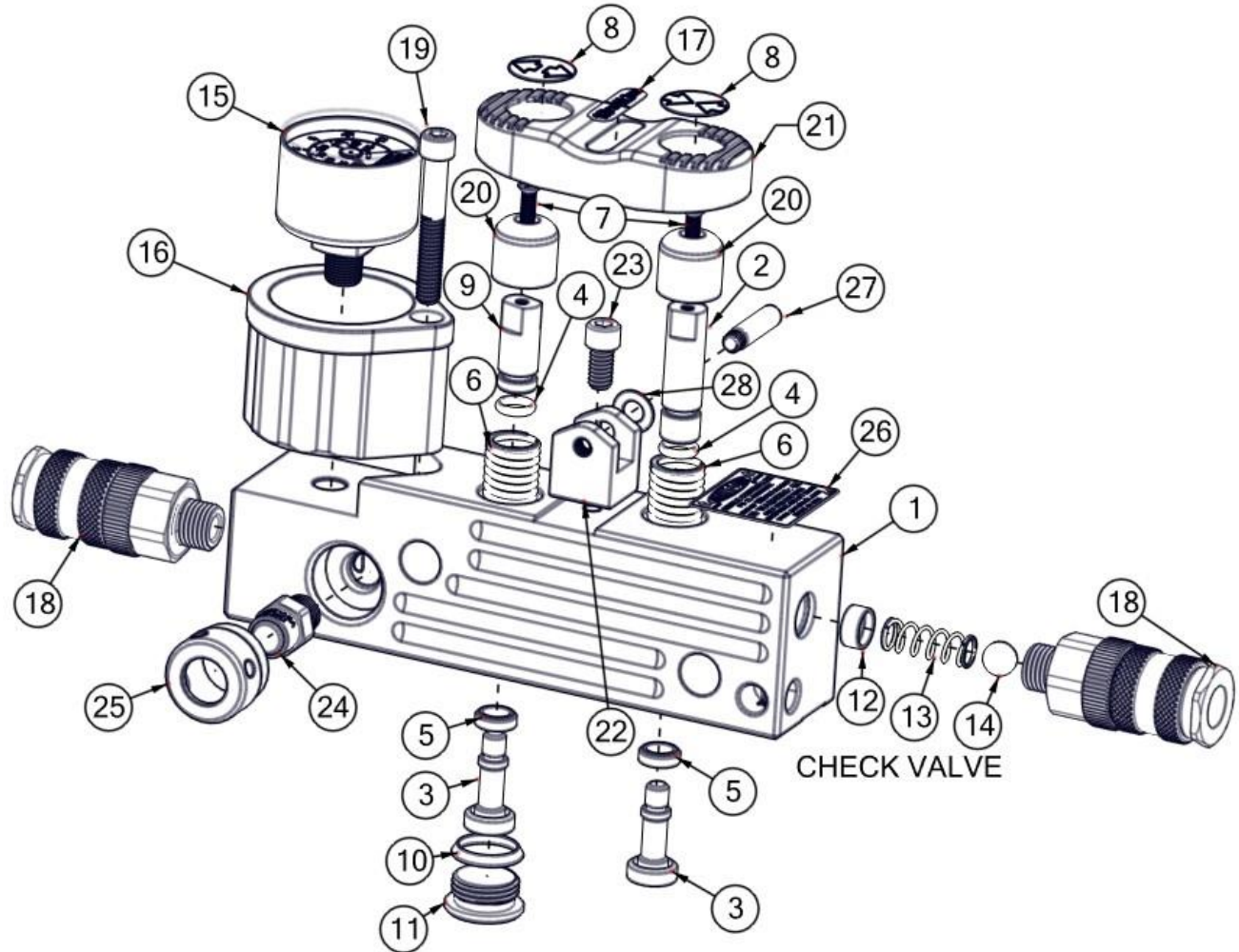


SINGLE 150 PSI ALB CONTROLLER G2 PN 22-889510G2-150 INSTRUCTION SHEET



**REFER TO OPERATION, PREVENTIVE MAINTENANCE AND PARTS
SUPPORT MANUAL PN 22-890800G2 FOR PROPER USE WITH
PARATECH'S MAXIFORCE AIR LIFTING BAGS**

22-889510G2-150 SINGLE 150 PSI ALB CONTROLLER G2 Parts list



ITEM	QTY	PN	DESCRIPTION
1	1	796106B	BODY, SINGLE CONTR G2, BLACK
2	1	890918	STEM BODY LONG, DEADMAN
3	2	890919	STEM VALVE, DEADMAN
4	2	550170	O-RING AS-011 (5/16X.070) BN70
5	2	890940	TETRASEAL .301X.066WX.134LG
6	2	890923	SPRING, BUTTON C0600-063-1250S
7	2	890930	SCR 6-32 PHI FLAT HD 1/2"LG SS
8	1	890934	LABELS: UP&DOWN PUSH BUTT SET
9	1	890917	STEM BODY SHORT, DEADMAN
10	1	890946	O-RING AS-016 5/8X.070 BN 70
11	1	890945	PLUG
12	1	890955	SPRING SEAT FOR CONTROLLER
13	1	796257	SPRING .360 OD X .026X 1"LG SS
14	1	015795	BALL 3/8 RIGID HDPE

ITEM	QTY	PN	DESCRIPTION
15	1	890605	GAUGE 1.5" 150PSI 1/8 BACK MT
16	1	890936Y	GAUGE GUARD, SINGLE CONTR. G2, YELLOW
17	1	150PSI	LABEL
18	2	890703	CPLG 1/4-20 NPS M (W O-RING)
19	1	670561	SCR 1/4-20 X 1.75 SHD CAP SS
20	2	890911	BLIND BUTTON
21	1	890916Y	ROCKER ARM, YELLOW
22	1	890914	POST FOR ROCKER ARM
23	1	670568	1/4-20 X 1/2" SHD CAP SCR SS
24	1	890588	VENT RELIEF VALVE 155 PSI
25	1	890938	PROTECTOR CAP FOR SAFETY VALVE
26	1	890860G2L	LABEL, SINGLE ALB CONTR. G2 150PSI
27	1	890913	SCREW SHAFT FOR ROCKER
28	1	890915	CURVED DISC SPRING