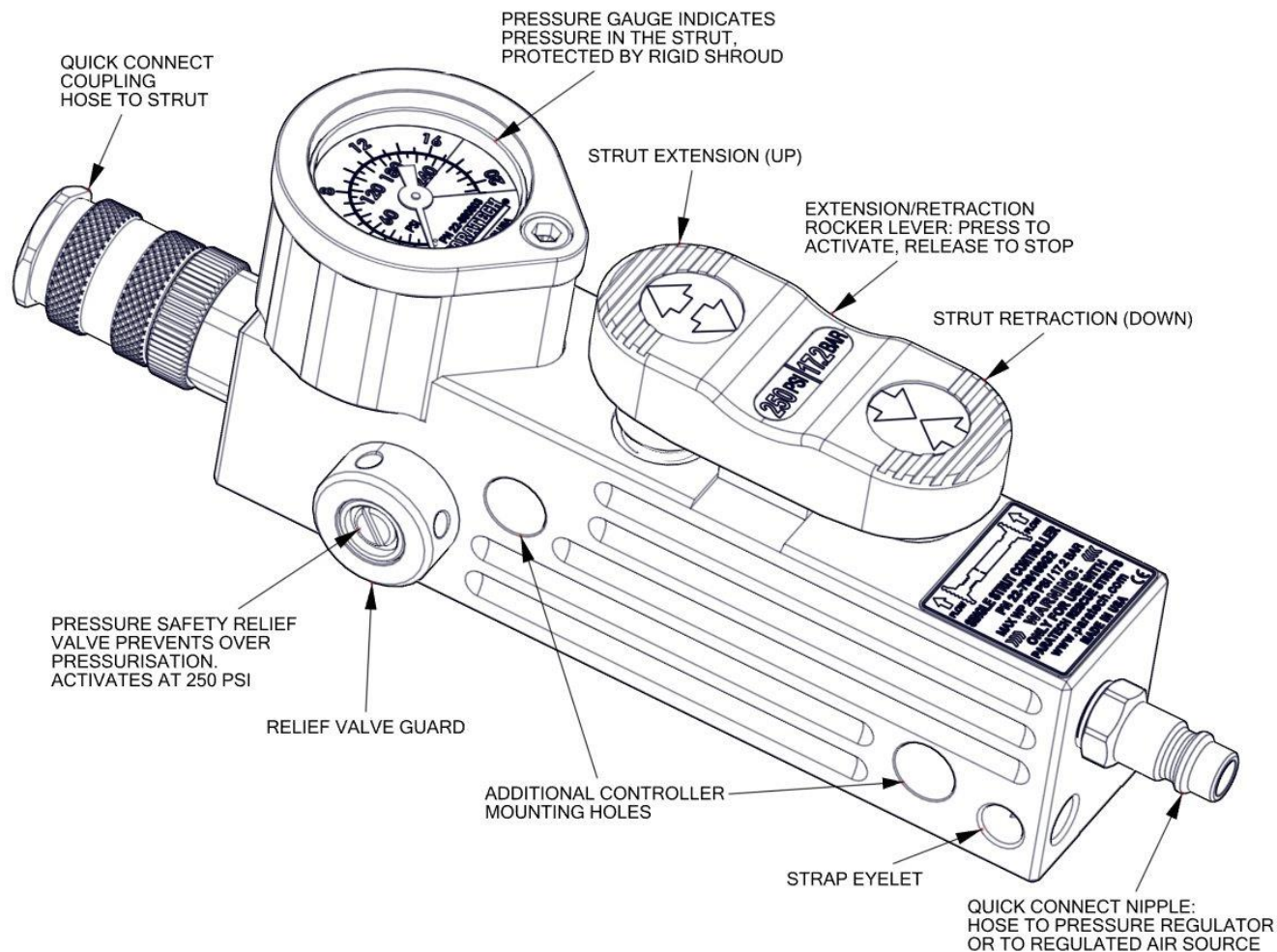
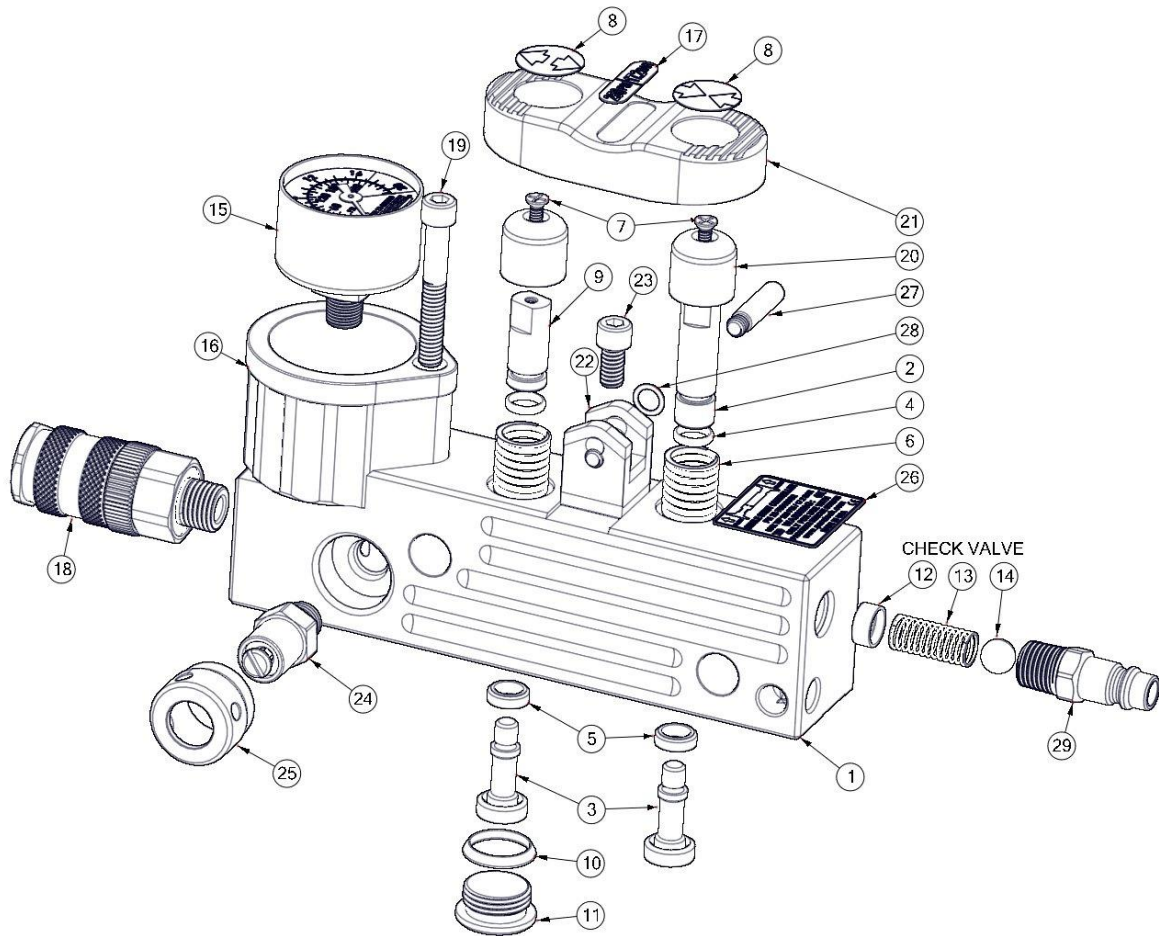


SINGLE STRUT 250 PSI CONTROLLER G2 PN 22-796100G2 INSTRUCTION SHEET



**REFER TO
OPERATION AND MAINTENANCE MANUAL PN 22-796198
FOR PROPER USE WITH PARATECH'S RESCUE SUPPORT SYSTEMS (RSS)**

22-796100G2 SINGLE STRUT CONTROLLER G2 Parts list



ITEM	QTY	PN	DESCRIPTION
1	1	796201G	HOUSING, SINGLE CONTROLLER
2	1	890918	STEM BODY LONG, DEADMAN
3	2	890919	STEM VALVE, DEADMAN
4	2	550170	O-RING AS-011 (5/16X.070) BN70
5	2	890940	TETRASEAL .301X.066WX.134LG
6	2	890923	SPRING, BUTTON C0600-063-1250S
7	2	890930	SCR 6-32 PHI FLAT HD 1/2"LG SS
8	1	890934	LABELS: UP&DOWN PUSH BUTT SET
9	1	890917	STEM BODY SHORT, DEADMAN
10	1	890946	O-RING AS-016 5/8X.070 BN 70
11	1	890945	PLUG
12	1	890955	SPRING SEAT FOR CONTROLLER
13	1	796257	SPRING .360 OD X .026X 1"LG SS
14	1	015795	BALL 3/8 NITRILE
15	1	890603	GAUGE 1.5" 250 PSI 1/8 BACK MT

ITEM	QTY	PN	DESCRIPTION
16	1	890936B	GAUGE GUARD, BLACK
17	1	250PSI	LABEL
18	1	890703	CPLG 1/4-20 NPS (W O-RING)
19	1	670561	SCR 1/4-20 X 1.75 SHD CAP SS
20	2	890911	BLIND BUTTON
21	1	890916B	ROCKER ARM, BLACK
22	1	890914	POST FOR ROCKER ARM
23	1	670568	1/4-20 X 1/2" SHD CAP SCR SS
24	1	890250	VENT RELIEF VALVE 250 PSI
25	1	890938	PROTECTOR CAP FOR SAFETY VALVE
26	1	796100G2L	LABEL, SINGLE STRUT CONTR. G2
27	1	890913	SCREW SHAFT FOR ROCKER
28	1	890915	CURVED DISC SPRING
29	1	890681	NIPPLE 1/4" NPT M