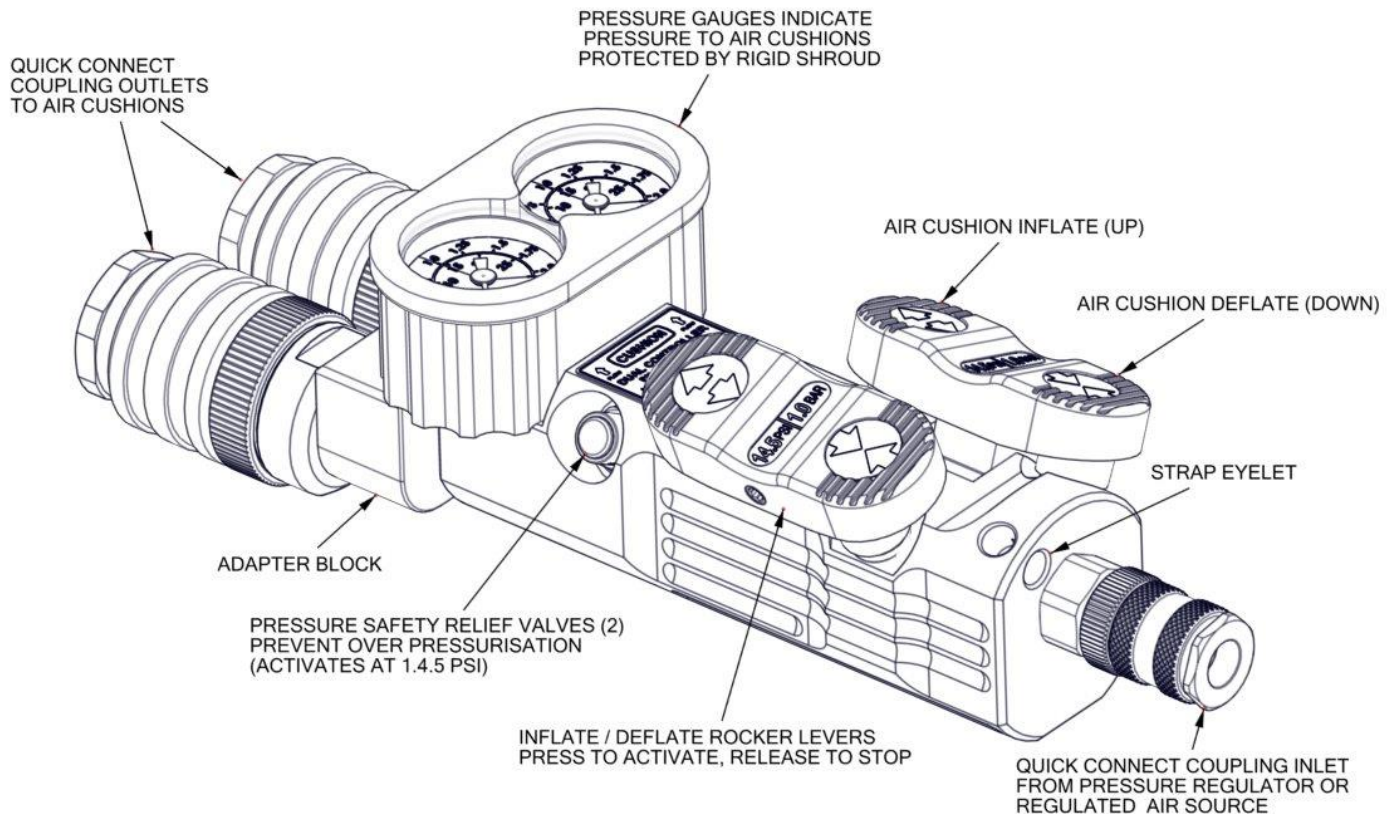
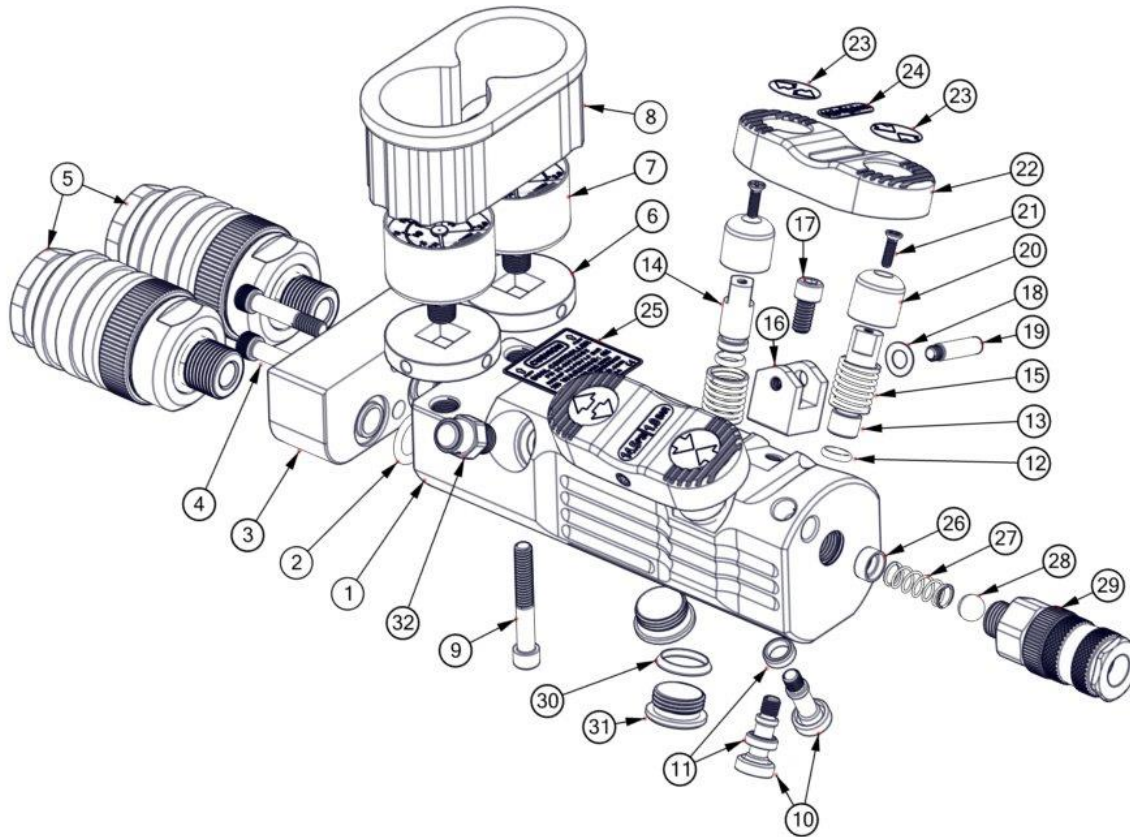


DUAL CUSHION 1 BAR CONTROLLER G2 PN 22-887305G2 INSTRUCTION SHEET



**REFER TO OPERATION, PREVENTIVE MAINTENANCE AND PARTS
SUPPORT MANUAL PN 22-887071G2 FOR PROPER USE WITH
PARATECH'S RESCUE AIR CUSHIONS**

22-887305G2 DUAL CUSHION CONTROLLER G2 Parts list



ITEM	QTY	PN	DESCRIPTION
1	1	887307	BODY DUAL CUSHION CONTR. G2
2	2	891153	O-RING AS-112 (1/2 X.103 NBR 70
3	4	887308	BLOCK, DUAL CUSHION G2 CONTR
4	2	670507	1/4-20 X 1.25" SOCHD CAP SS BLK
5	2	550365	5/8 COUPLING X 1/4-18 NPSM
6	2	890922A	PLATE, GAUGE BOTTOM
7	2	890621	GAUGE 1.5" 14.5 PSI 1/8 BACK M
8	1	890922G	DOUBLE GAUGE SHROUD, GREEN
9	1	670561	SCR 1/4-20 X 1.75 SOCHD SS
10	4	890919	STEM VALVE, DEADMAN
11	4	890940	TETRASEAL .301X.066WX.134 LG
12	4	550170	O-RING AS-011 (5/16X.070) BN70
13	2	890917	STEM BODY SHORT, DEADMAN
14	2	890918	STEM BODY LONG, DEADMAN
15	4	887317	SPRING, BUTTON C0600-049-1500S
16	2	890914	POST FOR ROCKER ARM

ITEM	QTY	PN	DESCRIPTION
17	2	670568	1/4-20 X 1/2" SCH CAP SCR SS
18	2	890915	CURVED DISC SPRING 1/4" ID 7 LB SS
19	2	890913	SCREW SHAFT FOR ROCKER
20	4	890911	BLIND BUTTON
21	4	890930	SCR 6-32 PHI FLAT HD 1/2"LG SS
22	2	890916G	ROCKER ARM, GREEN
23	2	890934	LABELS: UP&DOWN PUSH BUTT SET
24	2	14.5PSI	LABEL 14.5 PSI FOR ROCKER
25	1	887305G2L	LABEL, DUAL 14.5 PSI G2 CONTR
26	1	890955	SPRING SEAT FOR CONTROLLER
27	1	796257	SPRING .360 OD X .026X 1"LG SS
28	1	015795	BALL 3/8 RIGID HDPE
29	1	890703	CPLG 1/4"NPSM - OPEN W/SEAL
30	2	890946	O-RING AS-016 5/8X.070 BN 70
31	2	890945	PLUG
32	2	890579	VENT RELIEF VALVE 14.5 PSI