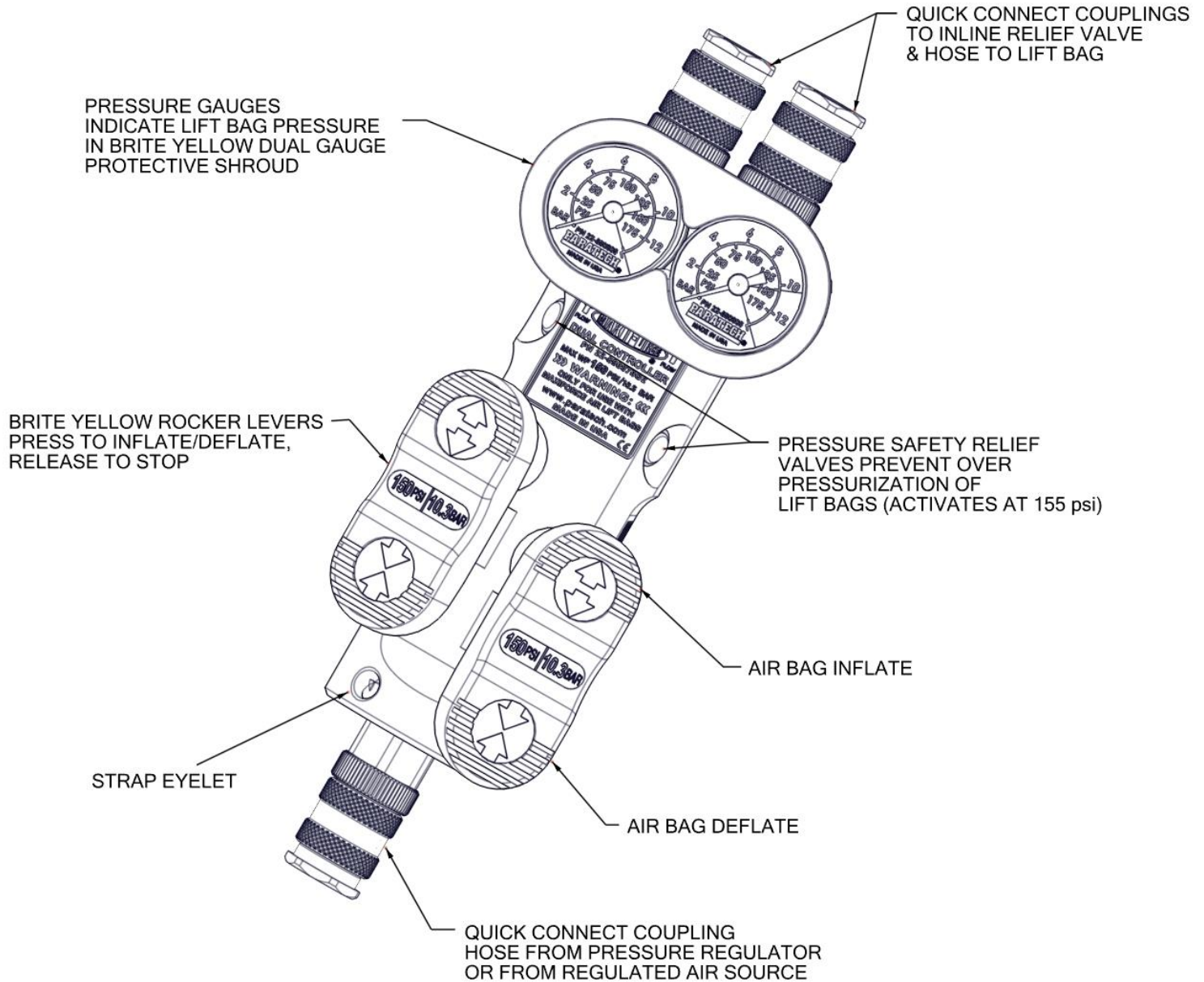


PARATECH®

DUAL DEADMAN 150 PSI ALB CONTROLLER G2 PN 22-890900G2-150 INSTRUCTION SHEET



**REFER TO OPERATION, PREVENTIVE MAINTENANCE AND PARTS
SUPPORT MANUAL PN 22-890800G2 FOR PROPER USE WITH
PARATECH'S MAXIFORCE AIR LIFTING BAGS**

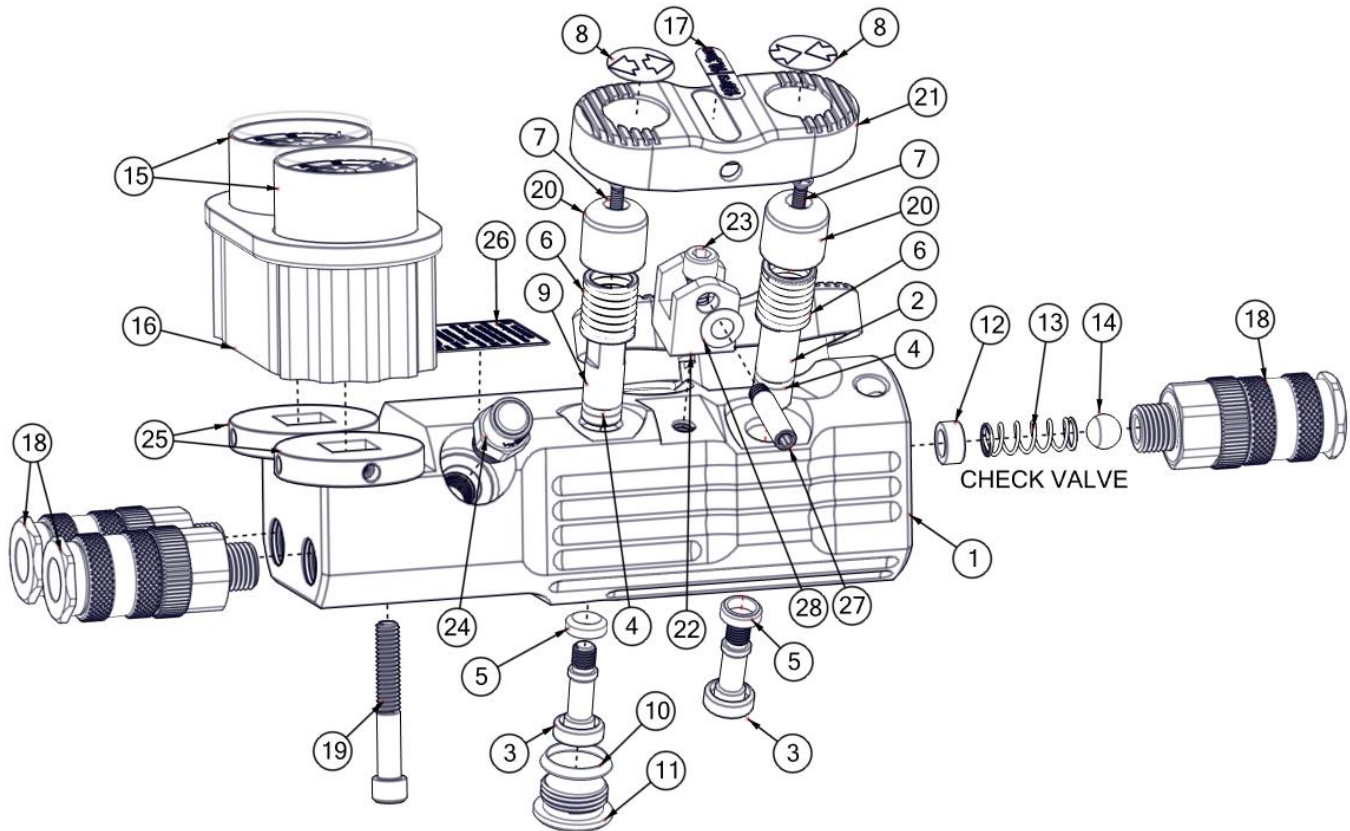
Paratech Incorporated
P.O. Box 1000, Frankfort, IL 60423 USA
Customer Service: 800.435.9358
Phone: 815.469.3911 Fax: 815.469.7748
www.paratech.com E-mail: paratech@paratech.us

Paratech Europe, Branch of Paratech Inc.
P.O. Box 174, 5260 Odense S, Denmark
www.paratech.com Email: Paratech@paratech.dk



PARATECH®

22-890900G2-150 DUAL DEADMAN 150 PSI ALB CONTROLLER G2 Parts list



ITEM	QTY	PN	DESCRIPTION
1	1	890902	BODY DUAL DEADMAN ROCKER, BLK
2	2	890918	STEM BODY LONG, DEADMAN
3	4	890919	STEM VALVE, DEADMAN
4	4	550170	O-RING AS-011 (5/16X.070) BN70
5	4	890940	TETRASEAL .301X.066WX.134LG
6	4	890923	SPRING, BUTTON C0600-063-1250S
7	4	890930	SCR 6-32 PHI FLAT HD 1/2"LG SS
8	2	890934	LABELS: UP&DOWN PUSH BUTT SET
9	2	890917	STEM BODY SHORT, DEADMAN
10	2	890946	O-RING AS-016 5/8X.070 BN 70
11	2	890945	PLUG
12	1	890955	SPRING SEAT FOR CHECK VALVE
13	1	796257	SPRING .360 OD X .026X 1"LG SS
14	1	015795	BALL 3/8 RIGID HDPE

ITEM	QTY	PN	DESCRIPTION
15	2	890605	GAUGE 1.5" 150 PSI 1/8 BACK MT
16	1	890922Y	DOUBLE GAUGE SHROUD, YELLOW
17	2	150PSI	LABEL 150 PSI
18	3	890703	CPLG 1/4-20 NPS M (W O-RING)
19	1	670561	SCR 1/4-20 X 1.75 SHD CAP SS
20	4	890911	BLIND BUTTON
21	2	890916Y	ROCKER ARM, YELLOW
22	2	890914	POST FOR ROCKER ARM
23	2	670568	1/4-20 X 1/2" SHD CAP SCR SS
24	2	890588	VENT RELIEF VALVE 155 PSI
25	2	890922A	PLATE, GAUGE BOTTOM
26	1	890870G2L	LABEL, DUAL DEADMAN G2 150PSI
27	2	890913	SCREW SHAFT FOR ROCKER
28	2	890915	CURVED DISC SPRING

Paratech Incorporated
P.O. Box 1000, Frankfort, IL 60423 USA
Customer Service: 800.435.9358
Phone: 815.469.3911 Fax: 815.469.7748
www.paratech.com E-mail: paratech@paratech.us

Paratech Europe, Branch of Paratech Inc.
P.O. Box 174, 5260 Odense S, Denmark
www.paratech.com Email: Paratech@paratech.dk

