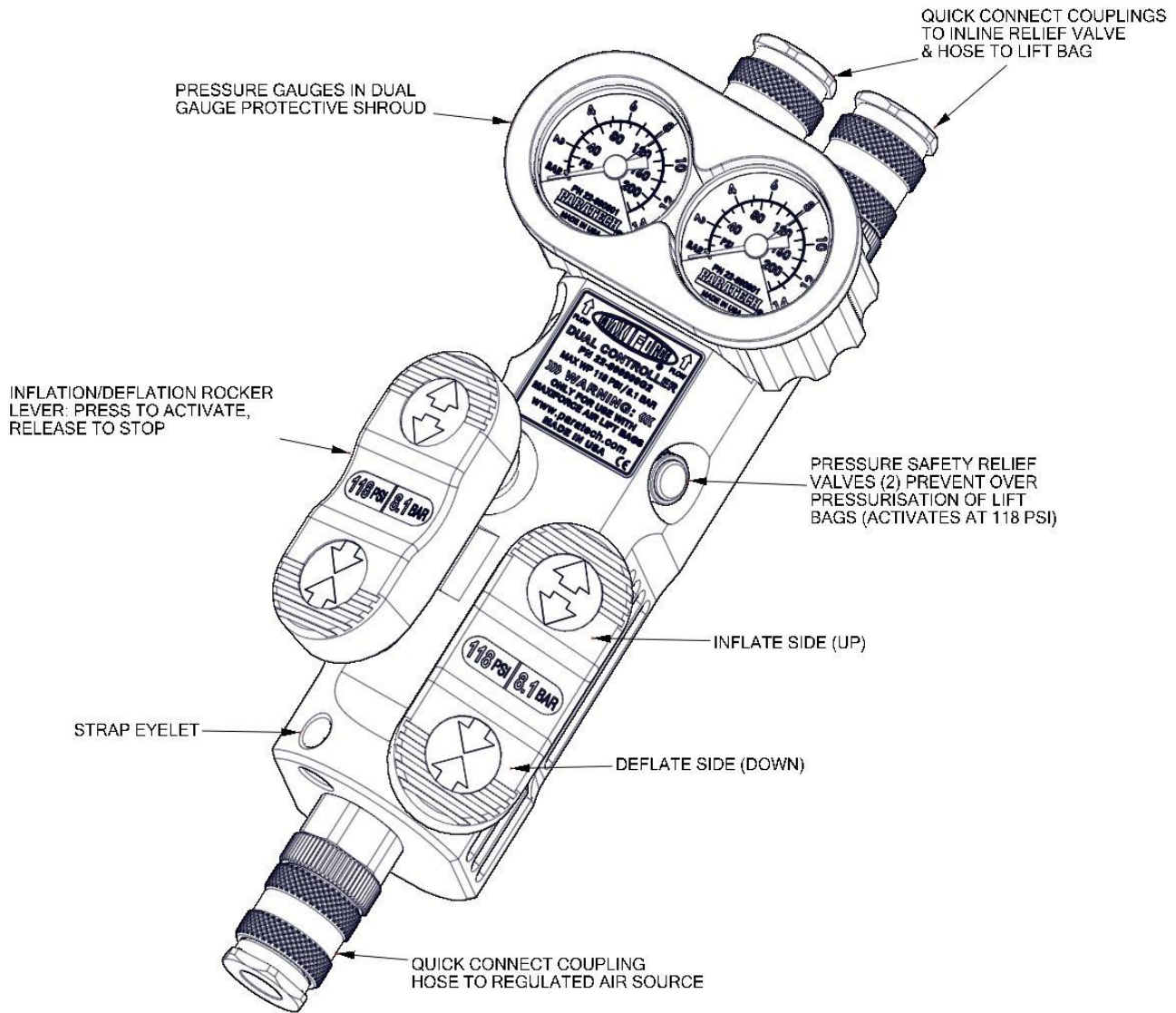
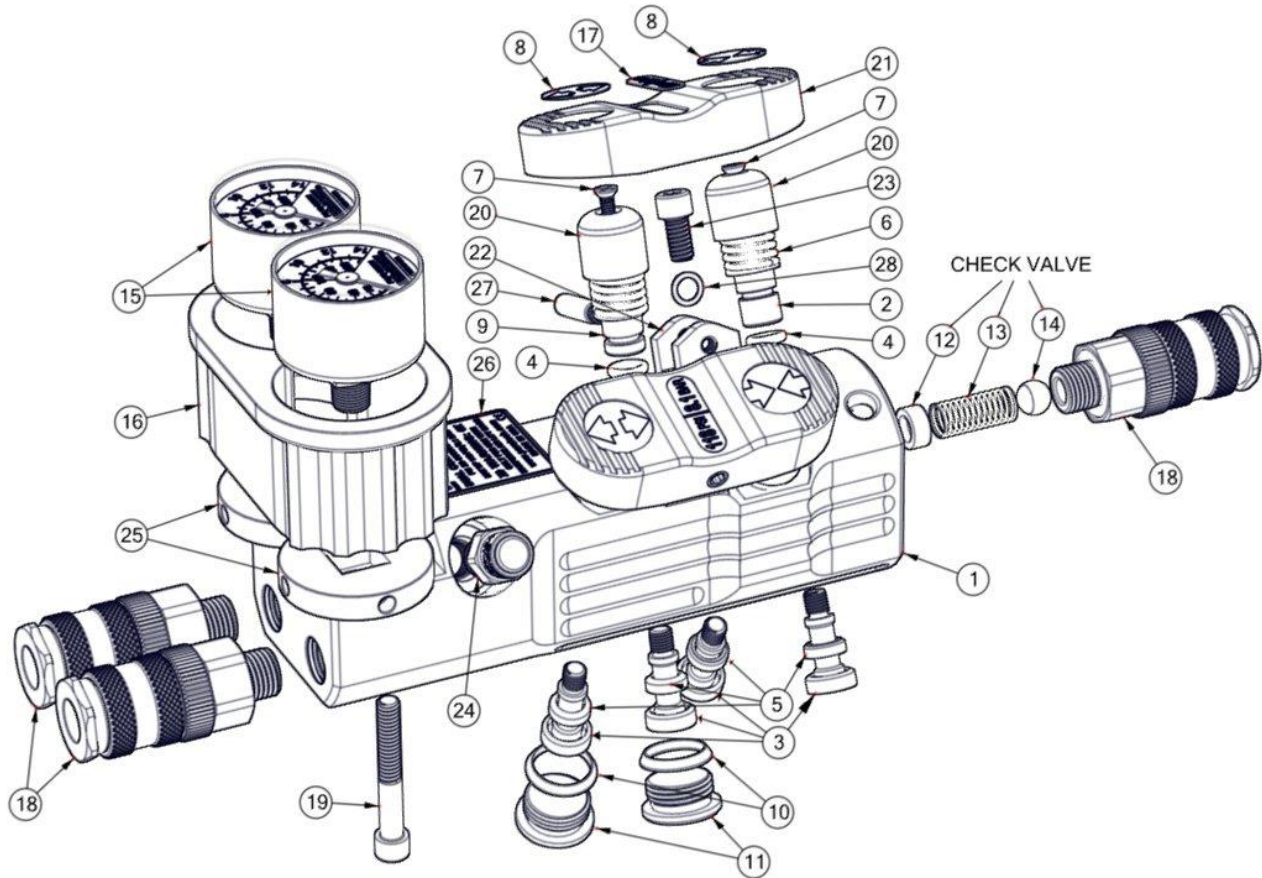


DUAL DEADMAN ALB CONTROLLER G2 PN 22-890900G2 INSTRUCTION SHEET



**REFER TO OPERATION, PREVENTIVE MAINTENANCE AND PARTS
SUPPORT MANUAL PN 22-890800 FOR PROPER USE WITH
PARATECH'S MAXIFORCE AIR LIFTING BAGS**

22-890900G2 DUAL DEADMAN ALB CONTROLLER G2 Parts list



ITEM	QTY	PN	DESCRIPTION
1	1	890902	BODY MAXIF DUAL DEADMAN ROCKER
2	2	890918	STEM BODY LONG, DEADMAN
3	4	890919	STEM VALVE, DEADMAN
4	4	550170	O-RING AS-011 (5/16X.070) BN70
5	4	890940	TETRASEAL .301X.066WX.134LG
6	4	890923	SPRING, BUTTON C0600-063-1250S
7	4	890930	SCR 6-32 PHI FLAT HD 1/2"LG SS
8	1	890934	LABELS: UP&DOWN PUSH BUTT SET
9	2	890917	STEM BODY SHORT, DEADMAN
10	2	890946	O-RING AS-016 5/8X.070 BN 70
11	2	890945	PLUG
12	1	890955	SPRING SEAT FOR CHECK VALVE
13	1	796257	SPRING .360 OD X .026X 1"LG SS
14	1	015795	SEALING BALL 3/8

ITEM	QTY	PN	DESCRIPTION
15	2	890601	GAUGE 1.5" 200PSI 1/8 BACK MT
16	1	890922B	DOUBLE GAUGE SHROUD, BLACK
17	2	118PSI	LABEL
18	3	890703	CPLG 1/4-20 NPS (W O-RING)
19	1	670561	SCR 1/4-20 X 1.75 SHD CAP SS
20	4	890911	BLIND BUTTON
21	2	890916B	ROCKER ARM, BLACK
22	2	890914	POST FOR ROCKER ARM
23	2	670568	1/4-20 X 1/2" SHD CAP SCR SS
24	2	890587	VENT RELIEF VALVE 118 PSI
25	2	890922A	PLATE, GAUGE BOTTOM
26	1	890900G2L	LABEL, DUAL DEADMAN 8.1 BAR
27	2	890913	SCREW SHAFT FOR ROCKER
28	2	890915	CURVED DISC SPRING