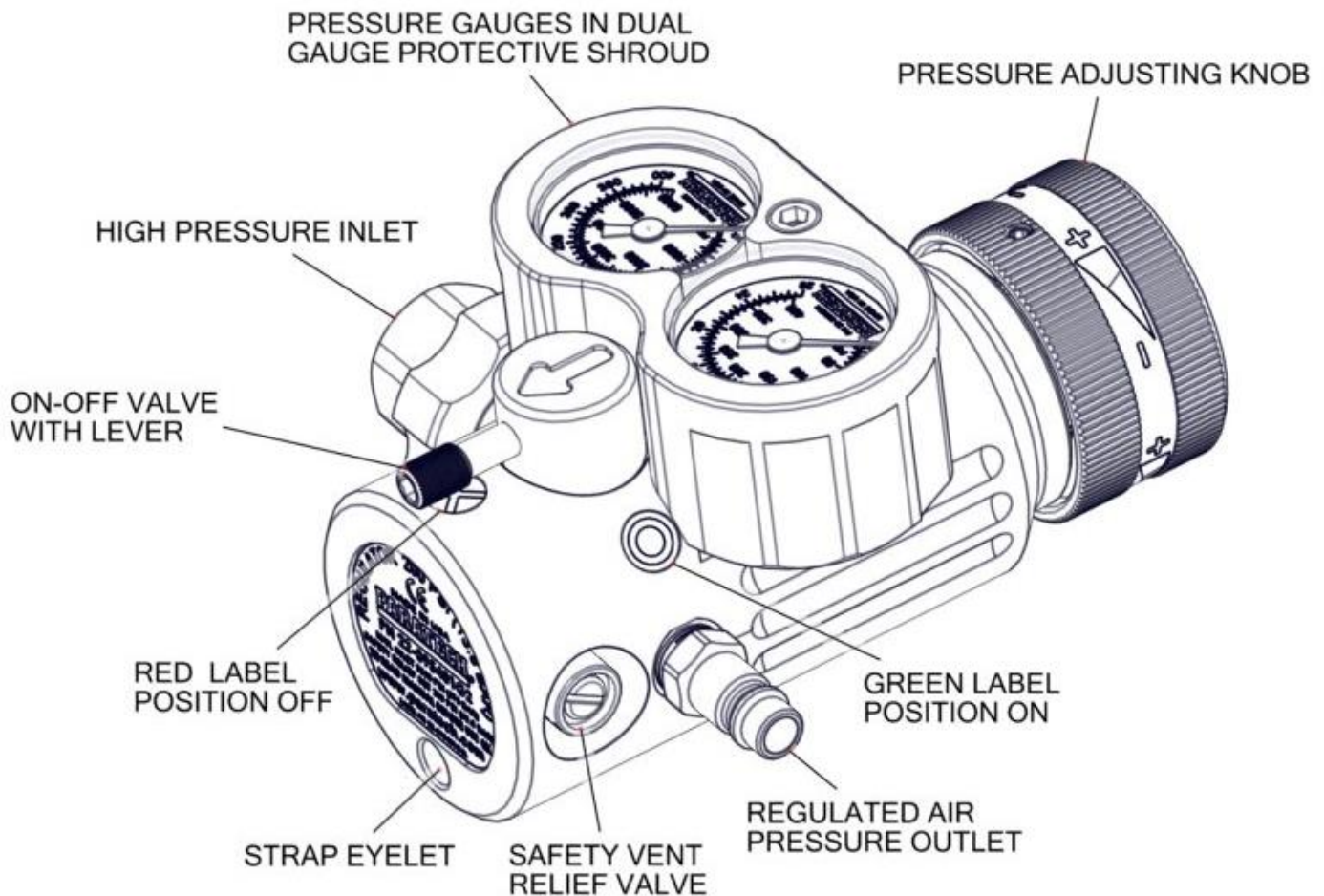


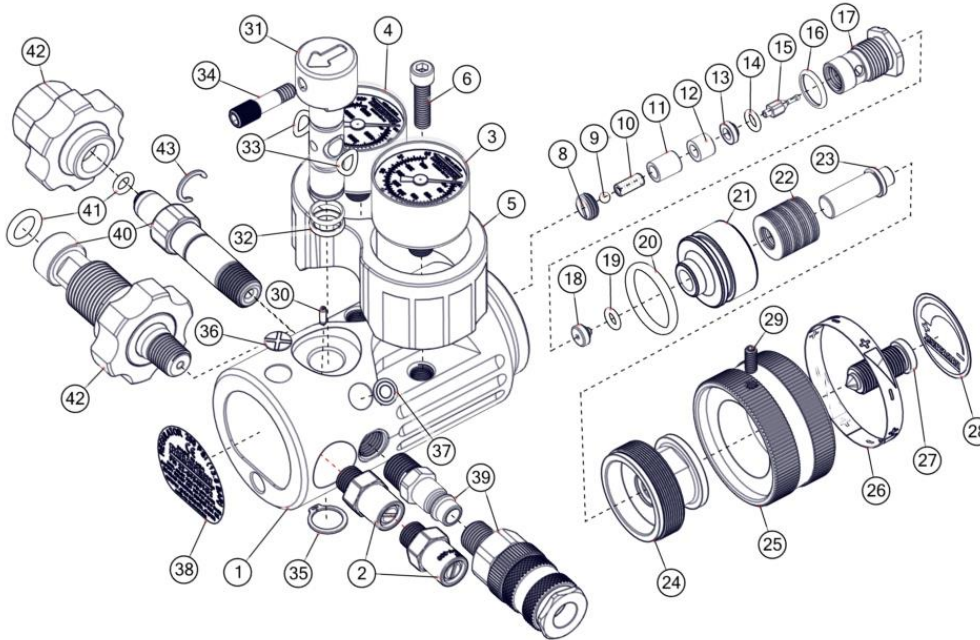
## 2-895400G2, 22-895400DG2, 22-895401G2, 22-895401DG2 REGULATORS INSTRUCTION SHEET



**REFER TO OPERATION, PREVENTIVE MAINTENANCE AND PARTS  
MANUAL PN 22-895409 FOR PROPER USE WITH  
PARATECH'S RESCUE EQUIPMENT**

# PARATECH®

## 22-895400G2, 22-895400DG2, 22-895401G2, 22-895401DG2 REGULATORS Parts list



ITEM	QTY	PN	DESCRIPTION
1	1	895403	HOUSING FOR 895401G2/895401DG2
1	1	895404	HOUSING FOR 895400G2/895400DG2
2	1	890220	VENT RELIEF VALVE 200 PSI
2	1	890589	VENT RELIEF VALVE 300 PSI
3	1	890594	GAUGE 1.5" 400 PSI 1/8 BACK MT
4	1	890596	GAUGE 1.5" 6000 PSI 1/8 BACK MT
5	1	89890922R	GAUGE SHROUD FOR G2 REG.
6	1	670534	1/4-20 SOC HD CAP SCR 1" SS
7	1	895408	CARTRIDGE ASSEMBLY: (ITEMS 8-17)
8	1	895416	END CAP, CARTRIDGE
9	1	891135	BALL 5/32 440-C SS GRADE 24
10	1	895222	SPRING, NEEDLE VALVE
11	1	895415	FILTER, SINTER. FOR REGULATOR
12	1	895414	SPACER FOR CARTRIDGE
13	1	895412	SEAT, MAIN, CARTR. REGULATOR
14	1	895513	O-RING AS-010 (1/4 X.070) NB90
15	1	895411	NEEDLE, MAIN REG VALVE, CARTR.
16	1	890252	O-RING AS-015 (9/16 X.070) 90BN
17	1	895413	CARTRIDGE HOUSING, REGULATOR
18	1	895418	SEAT, VENT
19	1	895513	O-RING AS-010 (1/4 X.070) BN90
20	1	895247	O-RING AS-121 (1-1/16 X.103) BN70
21	1	895417	PISTON, VENT REG.
22	17	895272	DISC SPRING 20mm X 10.2 X .9mm
23	1	895322	PIN - 20mm DISC GUIDE
24	1	895344	REAR CAP FOR DISC REG W/KNOB

ITEM	QTY	PN	DESCRIPTION
25	1	895345	KNOB FOR REGULATOR
26	1	895313	LABEL, PRESSURE ADJUSTM. STRIP
27	1	895326	SCREW, PRESS ADJ. KNOB, REG.
28	1	895311	LABEL 1.5" DIA FOR REG. KNOB
29	1	895291	SET SCR #10-24 X 1/2" LG CUP SS
30	1	890935	SPRING PIN 3/32 X 5/16 SS
31	1	890334	VALVE KNOB 90 DEG FOR G2 REG.
32	2	550174	O-RING AS-013 (7/16 X.070) BN70
33	2	890489	O-RING 5/16 X.070 POLYURETH. 90
34	1	796253	LEVER
35	1	890487	RET. RING EXT BASIC 9/16" SHAFT
36	1	LBOFF	RND LABEL OFF, RED
37	1	LBLON	RND LABEL ON, GREEN
38	1	895401G2L	LABEL FOR 895401G2 REG.
38	1	895401DG2L	LABEL FOR 895401DG2 REG.
38	1	895400G2L	LABEL FOR 895400G2 REG
38	1	895400DG2L	LABEL FOR 895400DG2 REG
39	1	890681	NIPPLE FOR 895401G2 REG.
39	1	890704	CPLG FOR 895400G2 REG.
40	1	895351	NIPPLE 5500 PSI (379 BAR) CGA
40	1	895367	NIPPLE - DIN
41	1	550195	O-RING 1/4 X.070 POLYURETHANE 90
41	1	891154	O-RING AS-111 (7/16 X.103) BN70
42	1	895356	HAND-TIGHT NUT CGA 347/346
42	1	895364	HAND NUT ASSY - DIN

**Paratech Incorporated**  
P.O. Box 1000, Frankfort, IL 60423 USA  
Customer Service: 800.435.9358  
Phone: 815.469.3911 Fax: 815.469.7748  
www.paratech.com E-mail: paratech@paratech.us

**Paratech Europe, Branch of Paratech Inc.**  
P.O. Box 174, 5260 Odense S, Denmark  
www.paratech.com Email: Paratech@paratech.dk

