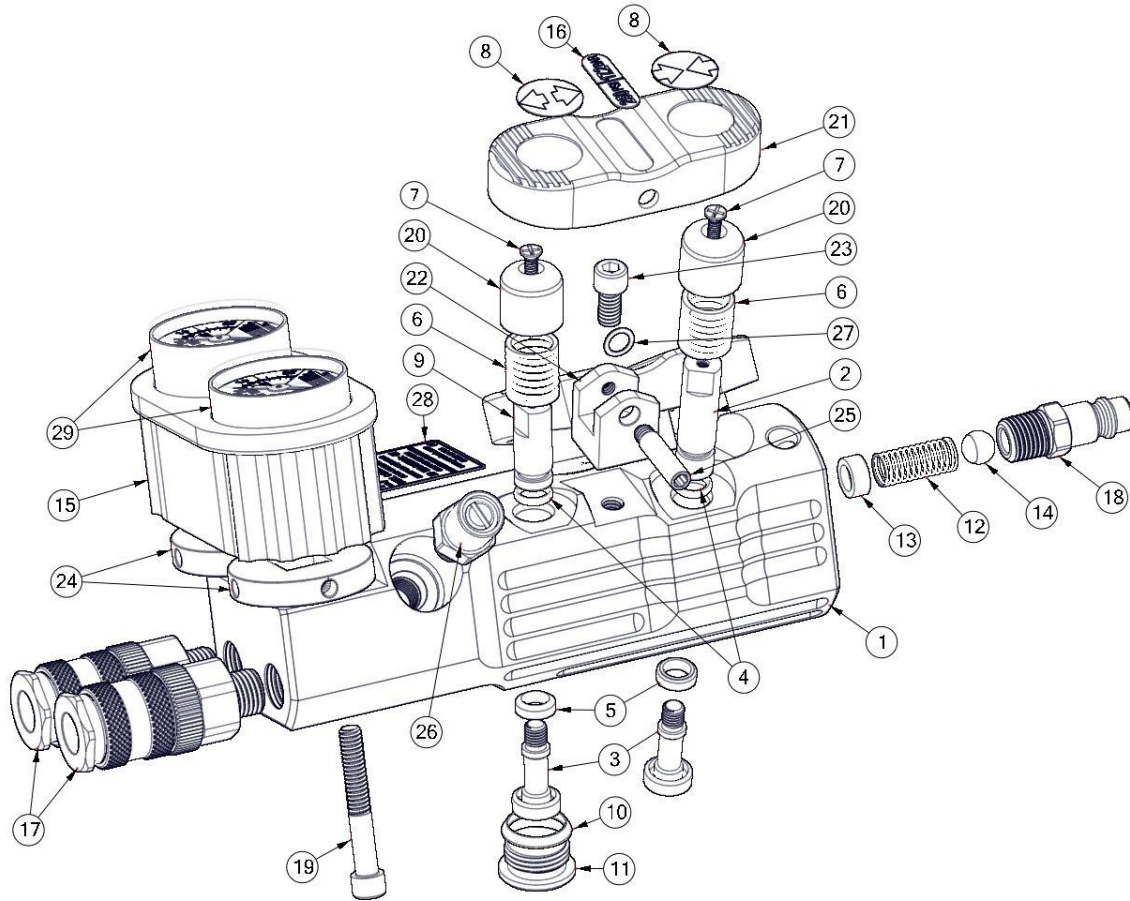


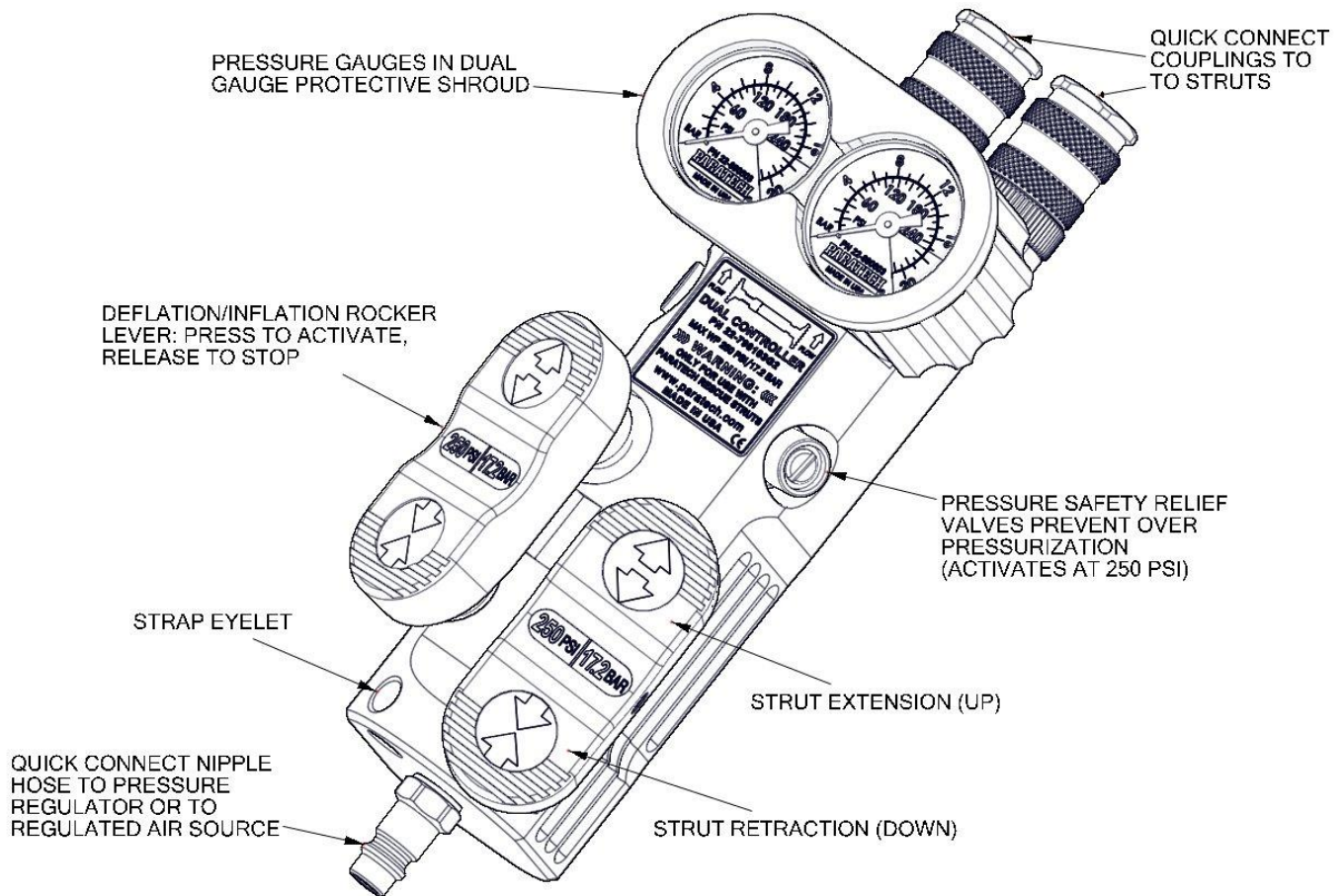
22-796103G2 DUAL DEADMAN RSS CONTROLLER G2 Parts list



ITEM	QTY	PN	DESCRIPTION
1	1	796143	BODY, STRUT DUAL DEADMAN G2
2	2	890918	STEM BODY LONG, DEADMAN
3	4	890919	STEM VALVE, DEADMAN
4	4	550170	O-RING AS-011 (5/16X.070) BN70
5	4	890940	TETRASEAL .301X.066WX.134LG
6	4	890925	SPRING, BUTTON C0600-063-1250S
7	4	890930	SCR 6-32 PHI FLAT HD 1/2"LG SS
8	1	890934	LABELS: UP&DOWN PUSH BUTT SET
9	2	890917	STEM BODY SHORT, DEADMAN
10	2	890946	O-RING AS-016 5/8X.070 BN 70
11	2	890945	PLUG
12	1	796257	SPRING .360 OD X .026X 1"LG SS
13	1	890955	SPRING SEAT FOR CONTROLLER
14	1	015795	BALL 3/8 NITRILE
15	1	890922B	DOUBLE GAUGE SHROUD, BLACK

ITEM	QTY	PN	DESCRIPTION
16	1	250PSI	LABEL
17	2	890703	CPLG WITH 1/4" NPS (W O-RING)
18	1	890681	NIPPLE WITH 1/4" NPTM
19	1	670561	SCR 1/4-20 X 1.75 SOCHD SS
20	4	890911	BLIND BUTTON FOR ROCKER
21	2	890916B	ROCKER ARM, BLACK
22	2	890914	POST FOR ROCKER ARM
23	2	670568	1/4-20 X 1/2" SCH CAP SCR SS
24	2	890922A	PLATE, GAUGE BOTTOM
25	2	890913	SCREW SHAFT FOR ROCKER
26	2	890250	VENT RELIEF VALVE 250 PSI
27	2	890915	CURVED DISC SPRING
28	1	796103G2L	LABEL, STRUT DUAL CONTR ROCKER
29	2	890603	GAUGE 1.5" TL15-300-8B 1/8"CBM

DUAL DEADMAN RSS CONTROLLER G2 PN 22-796103G2 INSTRUCTION SHEET



REFER TO
OPERATION AND MAINTENANCE MANUAL PN 22-796198
FOR PROPER USE WITH PARATECH'S RESCUE SUPPORT SYSTEMS