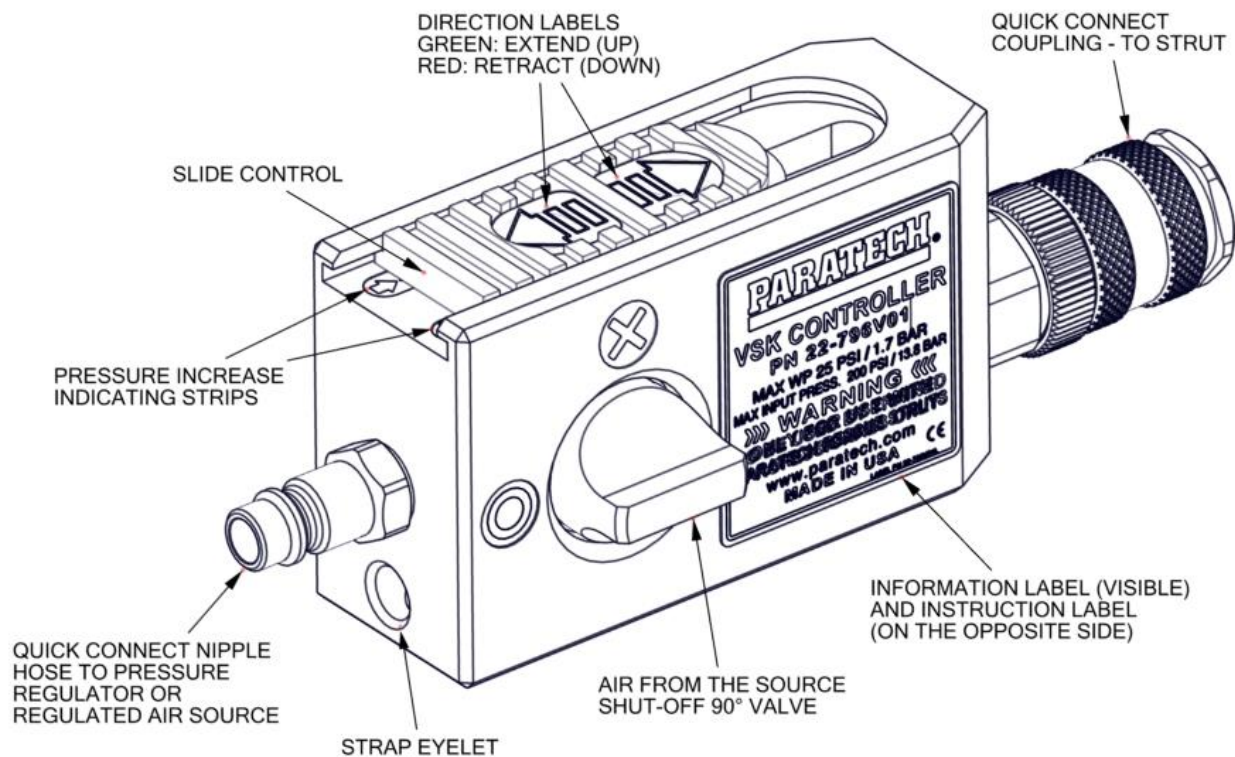


## VSK CONTROLLER PN 22-796V01 INSTRUCTION SHEET



### INSTRUCTIONS:

1. SLIDE CONTROL FORWARD UNTIL STRUT BEGINS TO EXTEND
2. LEAVE SLIDE CONTROL AT POSITION DURING OPERATION
3. TO RETRACT, SLIDE CONTROL BACK

## 22-796V01 VSK CONTROLLER - OPERATING PRINCIPLES

The VSK Controller is used to activate VSK Rescue Struts from a safe distance by extending its length and/or collapsing. The VSK Controller incorporates an internal pressure regulator and variable pressure, self resetting relief valve that both work in tandem for proportional pressure control. To activate and control the required pressure, a slide control is provided on the top of the controller that activates pressure regulator and adjusts relief valve simultaneously to be slightly above the regulated air.

The controller is equipped with one air inlet nipple (item 2) and one air outlet coupling (item 1).

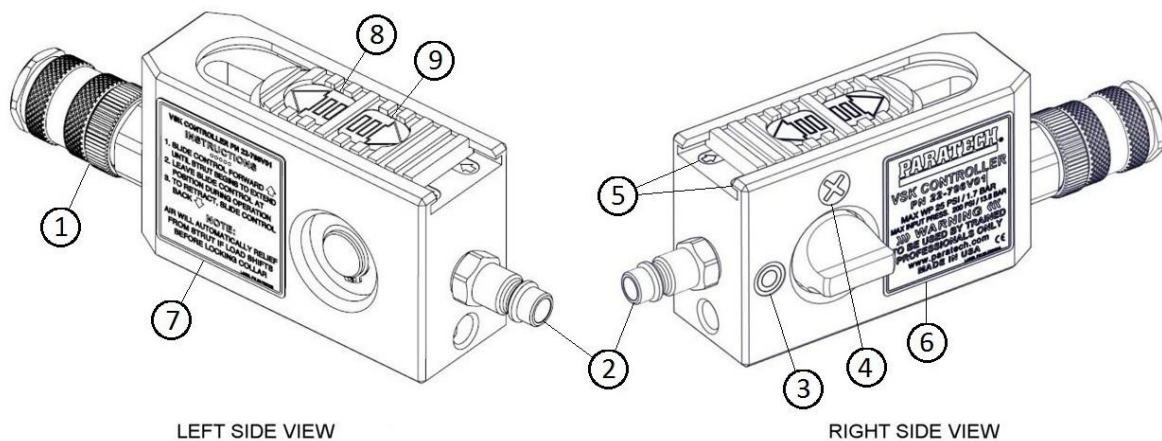
The internal relief valve prevents accidental over-pressurization due to load shifting conditions of the Rescue Strut and to remove the air pressure from the strut. Air flow is intentionally restricted for safe, slow rate of lifting with regulated input between 50-200 psi. The operating range is less than 16 psi.

The slide control bar is color coded with proper labels to denote the function of the valve. The green arrow (item 8) indicate increase the pressure to lift (forward motion), the red arrow (item 9) indicate direction to decrease the pressure (reverse motion). By sliding control all the way back, all air pressure is relieved from the system and the strut(s) will collapse back to its initial position. VSK Controller should always be stored with slide control all the way back, so internal components like springs, etc. are not left under static, stressed position.

The VSK Controller is also equipped with 90° Shut-Off valve for cutting off the air flow from the air source.

A carrying strap (item 10) is provided to allow maximum operator mobility.

### FIELD REPLACEABLE COMPONENTS



ITEM	QTY	PN	DESCRIPTION
1	1	890703	CPLG 1/4" NPSM – OPEN W/SEAL
2	1	890681	NIPPLE WITH 1/4" NPT
3	1	LBLON	RND LABEL ON, GRN
4	1	LBLOFF	ROUND LABEL OFF, RED
5	2	796V37	LABEL, INDICATOR STRIP

ITEM	QTY	PN	DESCRIPTION
6	1	796V01L	LABEL, VSK CONTROLLER
7	1	796V25	LABEL, VSK CONTR INSTRUCTION
8	1	796V30	LABEL, DIRECTION UP (GRN)
9	1	796V31	LABEL, DIRECTION DOWN (RED)
10	1	890819	CARRYING STRAP (NOT SHOWN)