



- INSTRUCTION SHEET -
ELEVATOR SHAFT RESCUE KIT (ESRK)

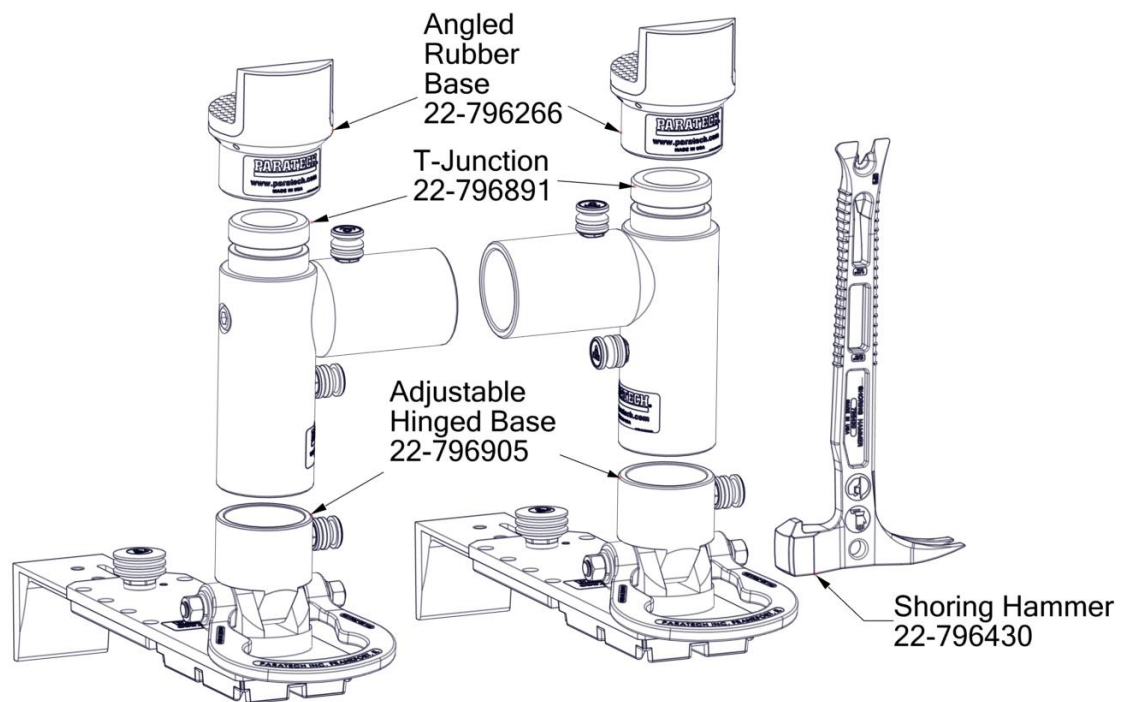
PN: 22-796890K

LIST OF COMPONENTS:

- (2) 22-796266 ANGLED RUBBER BASE
- (2) 22-796891 T-JUNCTION
- (2) 22-796905 ADJUSTABLE HINGED BASE
- (1) 22-796430 SHORING HAMMER

TOTAL KIT WEIGHT: 33 lbs (15 KG)

FIGURE 1



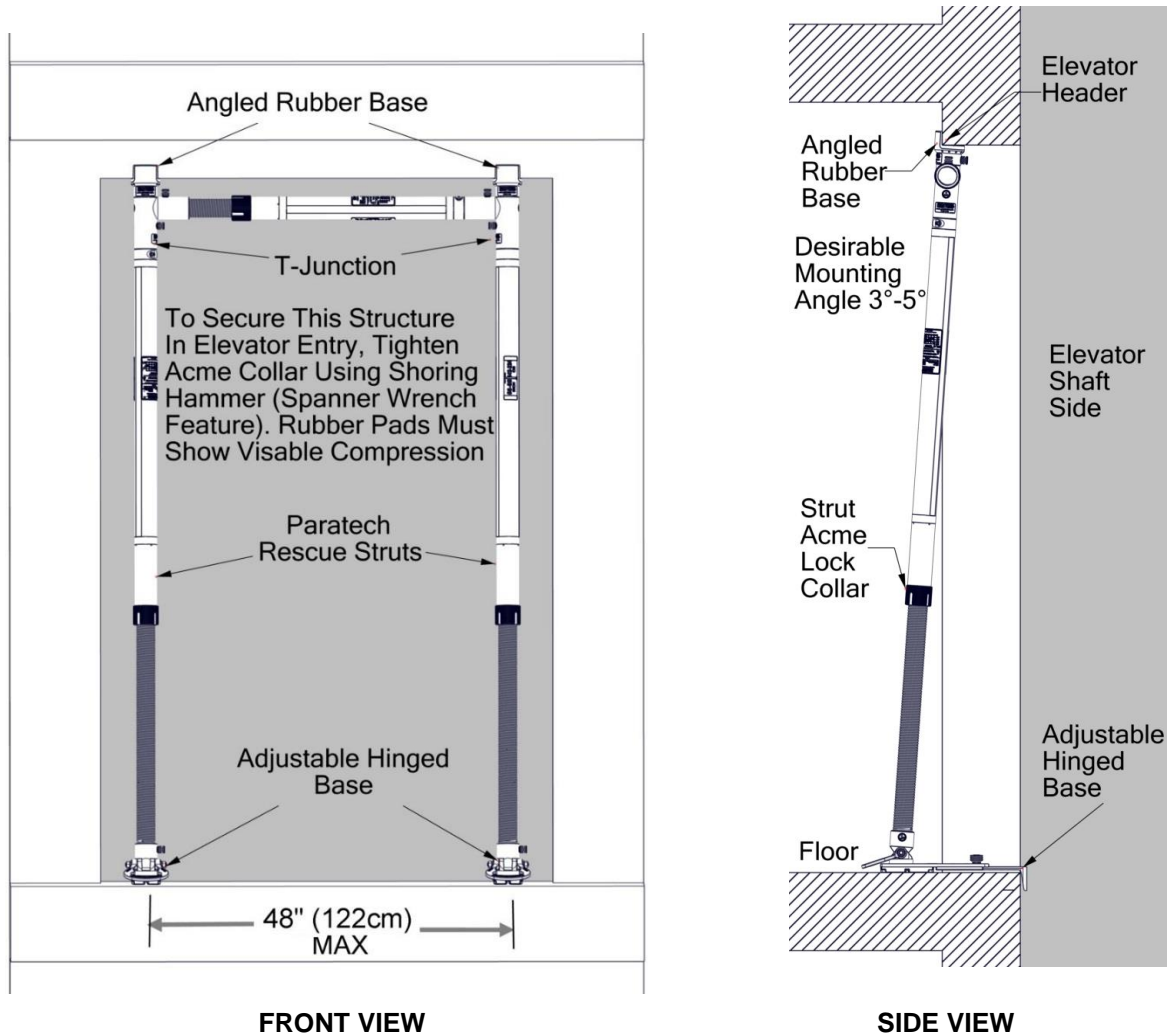
Paratech Incorporated
P.O. Box 1000, Frankfort, IL 60423 USA
Customer Service: 800.435.9358
Phone: 815.469.3911 Fax: 815.469.7748
www.paratech.com E-mail: paratech@paratech.com

Paratech Europe, Branch of Paratech Inc.
P.O. Box 174, 5260 Odense S, Denmark
www.paratech.com Email:
Paratech@paratech.dk



STRUCTURE ERECTION SCHEMATIC:

FIGURE 2:



1. Erect supporting structure as shown in Figure 2 on a flat surface, then lift into place. Refer to guidelines in the Paratech Support System Manual for strut load and length parameters.
2. Make sure that all bases are placed properly; corners tight against the elevator header and shaft side floor as shown.
3. Use Shoring Hammer to tighten both, right and left (vertical) Acme Collars on Struts to create enough force between the floor and upper entry frame; all rubber pads should visibly deform under compression.
Note: It is not necessary to overtight upper horizontal strut, hand tighten lock collar.
4. After the rescue operation is performed, use the Shoring Hammer to loosen Acme Collars and disassemble in reverse order.

LOAD RATING:

Maximum Working Load at the center of horizontal brace (Strut) should not exceed:

Working Load Limit (WLL)	
2:1	4:1
2,000 LBS 907.1 KG	1,000 LBS 453.6 KG

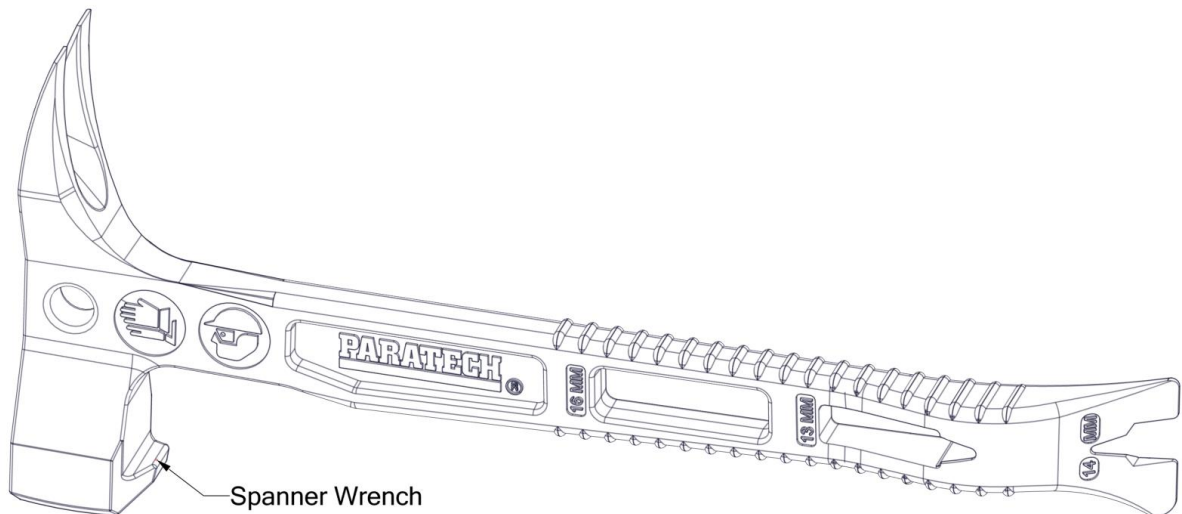
TOOL MAINTENANCE:

- Inspect Kit for physical damages such as; loose hardware, deep scratches/gouges, torn rubber pads, or non-functioning pull pins.
- Check neoprene rubber pads for any physical damage: Replace Angle Rubber Base 22-796266 if is damaged. On lower Base 22-796895 rubber pad PN 22-798A00 is attached by (2) M6 screws and can be replaced, if necessary.
- To clean, wipe all exposed surfaces with warm, soapy water and soft cloth.

SHORING HAMMER 22-796430

One of the features of the Shoring Hammer is a spanner wrench that should be used to tighten Acme Collars on Paratech Rescue Struts, Figure 3.

FIGURE 3



ESRK LIMITED WARRANTY

Each **ESRK** or component thereof, manufactured by Paratech Incorporated, has been thoroughly inspected and properly adjusted before shipment to insure the highest quality and the greatest possible reliability.

Paratech Incorporated (hereinafter referred to as "Seller") hereby warrants the **ESRK** or component thereof to the original retail buyer, only against defects in material and workmanship under normal use and service, for 5-years. This warranty shall constitute the sole warranty of the Seller with respect to the **ESRK** or component thereof. **THE SELLER HEREBY DISCLAIMS AND EXCLUDES ALL OTHER WARRANTIES, EXPRESSED OR IMPLIED, INCLUDING ANY IMPLIED WARRANTY OR MERCHANTABILITY OR FITNESS FOR A PARTICULAR PURPOSE.** The Seller neither assumes nor authorizes any other person to assume for it any other obligations or liabilities in connection with the sale or use of this product.

Should there be any defects in the material or workmanship of the **ESRK**; the buyer should return the defective product to the factory for inspection with shipping prepaid and a copy of receipt from the date of purchase. If inspection shows that the **ESRK** or a component thereof is defective and that such defects were not caused by negligence, misuse, accident or unauthorized service, the product sold hereunder will be repaired or replaced at the option of the Seller, without charge, FOB at the factory, Frankfort, Illinois.

THIS REMEDY SHALL BE THE EXCLUSIVE REMEDY FOR BREACH OF WARRANTY WITH RESPECT TO THE ESRK OR COMPONENT THEREOF. THE SELLER SHALL NOT BE LIABLE FOR INCIDENTAL OR CONSEQUENTIAL DAMAGES RESULTING FROM ANY BREACH OF WARRANTY WITH RESPECT TO THE ESRK OR COMPONENT THEREOF FROM ANY DELAY IN THE PERFORMANCE OF THE REMEDY HEREUNDER.

PARATECH®

PARATECH INCORPORATED
P.O. BOX 1000
1025 LAMBRECHT ROAD
FRANKFORT, ILLINOIS 60423-7000

TELEPHONE (815) 469-3911
FAX (815) 469-7748