



RESCUE SUPPORT SYSTEMS

TRIPOD CONVERSION KIT

PN 22-796300

JUNE 2023

22-796199

Paratech Incorporated
P.O. Box 1000, Frankfort, IL 60423 USA
Customer Service: 800.435.9358
Phone: 815.469.3911 Fax: 815.469.7748
www.paratech.com E-mail: paratech@paratech.us

Paratech Europe, Branch of Paratech Inc.
P.O. Box 174, 5260 Odense S, Denmark
Phone: +45.66.11.24.22 Fax: +45.66+11.24.32
www.paratech.com Email: Paratech@paratech.dk



VALIDATION CERTIFICATE

TECHNICAL MANUAL TITLE
OPERATION MANUAL FOR TRIPOD CONVERSION KIT

TECHNICAL MANUAL NUMBER

P/N 22-796199

DATE

06 JUNE 2023

CONTRACT/NO.

I-VALIDATION

Except as stated in II, the technical manual identified above has been satisfactorily validated in accordance with all requirements of the applicable contract. The technical manual is hereby certified to be accurate and complete, and the information, instructions, text, and illustrations conform in all respects to the applicable general and detailed specifications.

II - EXCEPTIONS

EXCEPTIONS

NONE

AUTHORIZED BY

Ken Nielsen
Chief Operating Officer

Paratech Incorporated
1025 Lambrecht Road
Frankfort, Illinois 60423-7000

SIGNATURE OF PUBLICATIONS QUALITY ASSURANCE OFFICER

DATE

SIGNATURE ON FILE

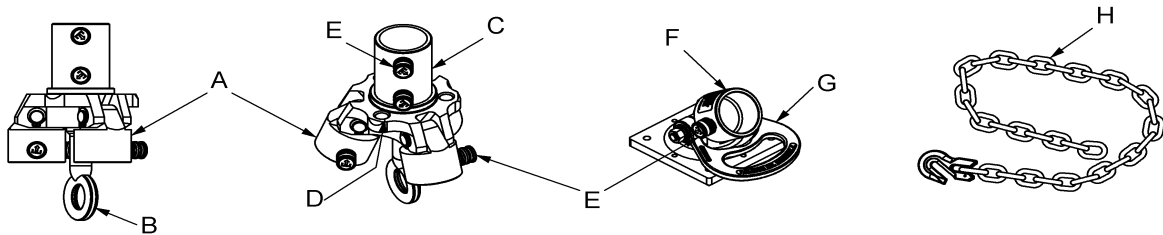
Change Record

Change No.	Date	Title and/or Brief Description	Signature of Validating Officer
1	17 JAN 2011	TRIPOD HEAD WAS MODIFIED; UPDATED ILLUSTRATIONS TO REFLECT THE CHANGES.	SIGNATURE ON FILE
2	13 JAN 2016	PAGE 1: FEATURE "C" DESCRIPTION "ACMETHREAD OR LOCKSTROKE" WAS "RSS". PAGE 5: UPDATED TRIPOD SAFE SUPPORT LOAD RATINGS. PAGE 6: ADDED LONGSHORE - SPOT SHORE LOAD RATINGS	SIGNATURE ON FILE
3	06 JUN 2023	PAGE 4: ADDED INSTALL SIZES FOR LONGSHORE STRUTS, EXTENSIONS, HOLE SIZE, HEIGHT	SIGNATURE ON FILE

Tripod Conversion Kit for Rescue Support System

Designed to be used with Paratech RESCUE SUPPORT SYSTEM (RSS) in rescue and stabilization situations, the **Tripod Conversion Kit PN 22-796300**, is manufactured for light weight and maximum strength.

Attach the Tripod Head to RSS AcmeThread or LockStroke Struts (and/or Strut Extensions) equipped with Paratech's Tripod Bases and 30 ft (9.1 m) chain with grab hook to create a strong, stable base for jack stands, high support for tripod cranes, or drop for tripod cranes.



FEATURES

TRIPOD HEAD, PN 22-796010

A - Three Clevis & Pin Female Hubs 20° (20° is the maximum safe tilt for each arm of the Tripod) maximum arc of movement per Hub.

B - Eyebolt: 3/4" (1.9 cm) thread, Ø1.45" (3.7 cm) id, 5200 lb (2358.7 kg) working load directly downward.

C - Female Hub on top to accept Paratech ACMETHread or LockStroke Strut/Extension components.

D - Three accessory holes.

E - Locking Pull Pins.

6" HINGED BASE WITH ANCHOR RING, PN 22-796150

F - Clevis & Pin Female Hub with 45° (45° is the maximum optimal angle used for vertical and horizontal forces on struts) maximum arc of movement mounted on a 6" Square base.

G - ANCHOR RING multidirectional 5000 lb (2268 kg) working load.

CHAIN 30 FT WITH GRAB HOOK, PN 22-796155S

H - 30 ft (9.1 m) Galvanized Alloy Chain, 3150 lb (1428.8 kg) working load, to be used to connect legs of Tripod.

ACCESSORY HOLES
Qty. 3

TRIPOD HEAD ASSEMBLY
PN 22-796010

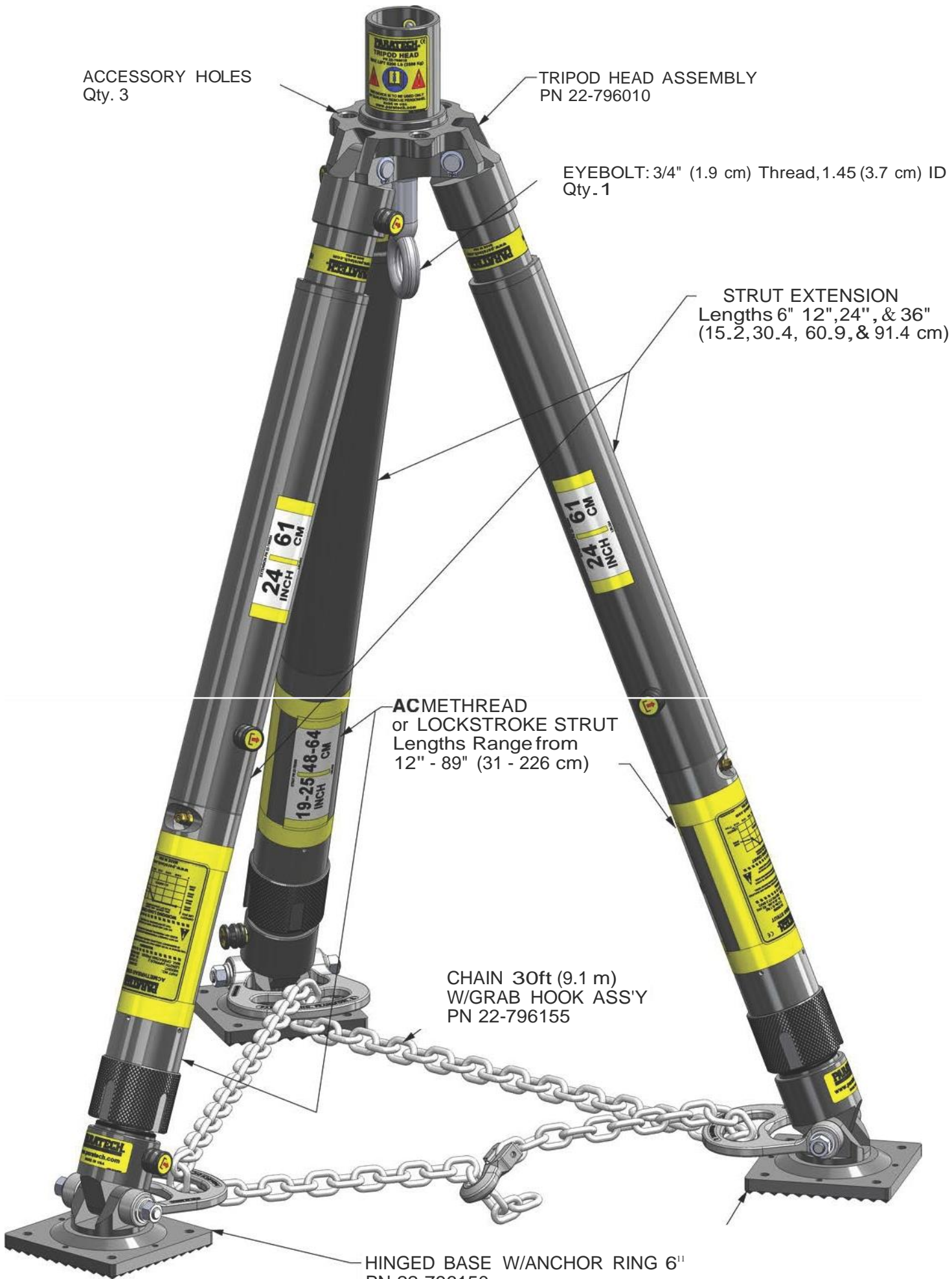
EYEBOLT: 3/4" (1.9 cm) Thread, 1.45 (3.7 cm) ID
Qty. 1

STRUT EXTENSION
Lengths 6", 12", 24", & 36"
(15.2, 30.4, 60.9, & 91.4 cm)

ACMETHREAD
or LOCKSTROKE STRUT
Lengths Range from
12" - 89" (31 - 226 cm)

CHAIN 30ft (9.1 m)
W/GRAB HOOK ASS'Y
PN 22-796155

HINGED BASE W/ANCHOR RING 6"
PN 22-796150

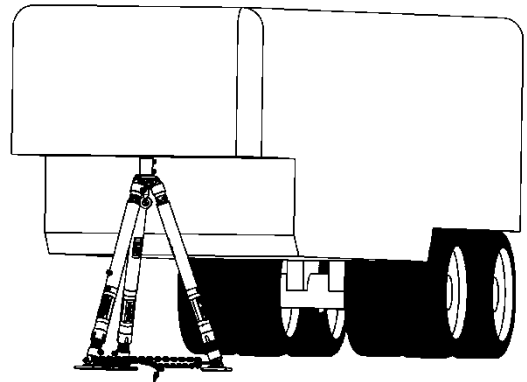


When setting up the tripod, always be sure to move the legs and bases from a maximum spread to a minimum of 2" (5.1 cm) toward the center of the triangle formed by the bases. Then attach the chain securely, causing it to be under tension. This will prevent the legs and bases from spreading while the tripod is under load.

APPLICATIONS

Jack Stand

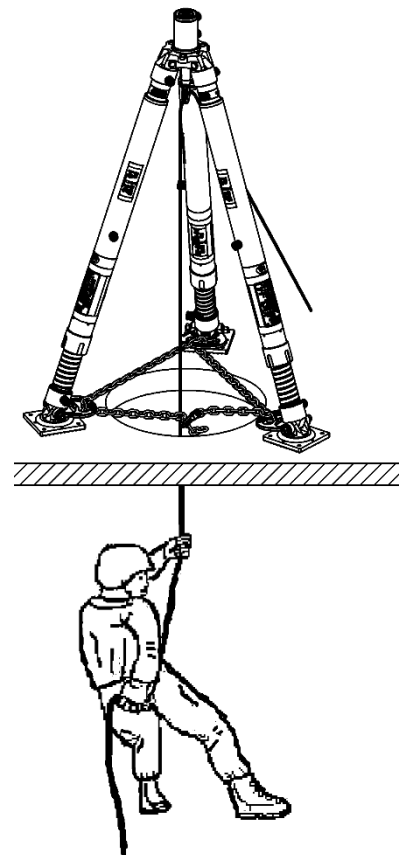
Combine Paratech's RSS Struts/Extensions, Tripod Bases, 30 ft (9.1 m) chain, and the RSS Tripod Head Assembly to create a strong, stable jack stand.



Confined Space Entry and Rescue

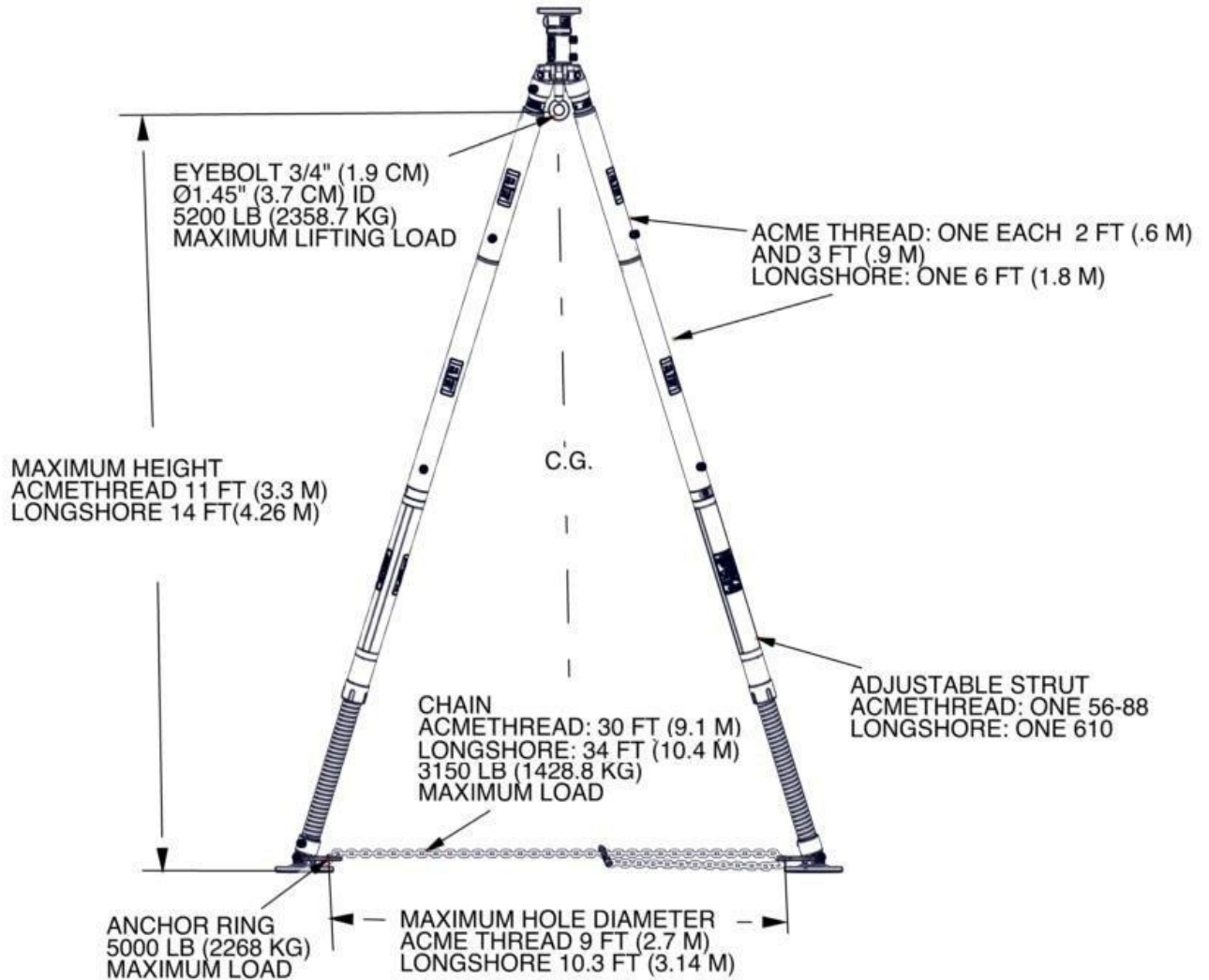
Combine Paratech's RSS Struts/Extensions, Tripod Bases, 30 ft (9.1 m) chain, and the RSS Tripod Head Assembly with your lowering/arresting/retrieving device and rigging.

Tripod heights up to 11 ft (3.3 m)
Hole diameters up to 9 ft (2.7 m)



TRIPOD SAFE LIFTING LOAD RATINGS

All Safe Lifting Load Ratings assume the center of gravity (c.g.) follows the line shown in these illustrations.

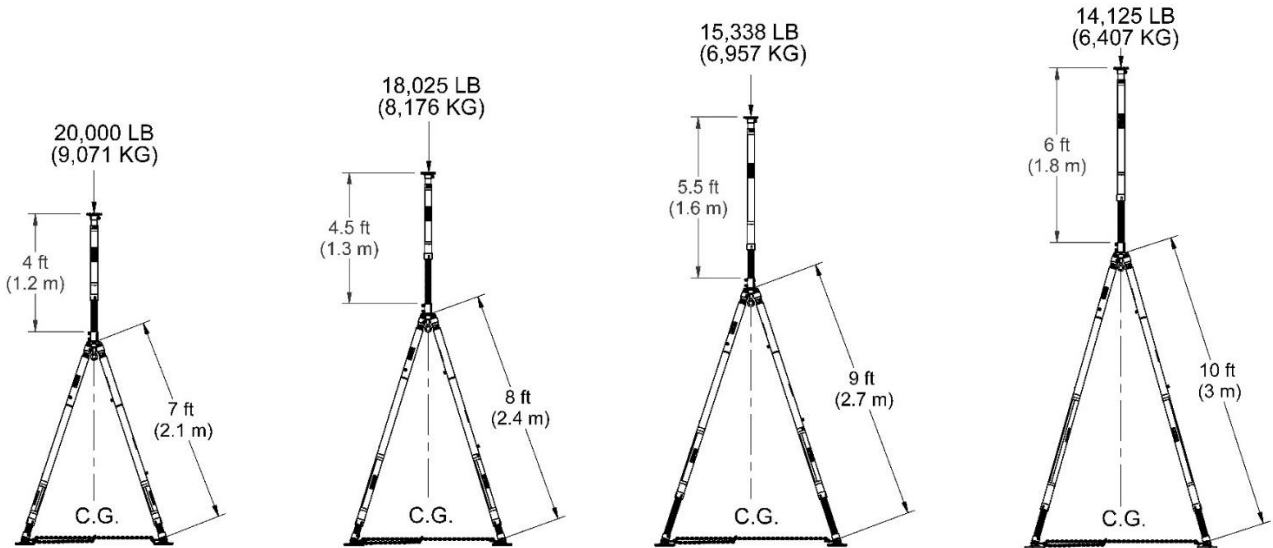


* Dimensions represent the largest permitted component configuration for lifting.

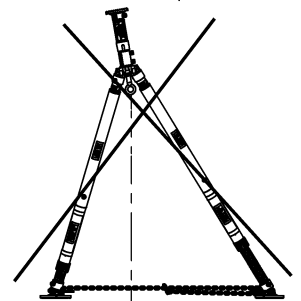
MAXIMUM WORKING LOAD FOR ENTIRE SYSTEM WHEN USED AS A TRIPOD FOR LIFTING = 5200 LB (2358.7 KG)

TRIPOD SAFE SUPPORT LOAD RATINGS, 4:1 SF

All Safe Working Load Ratings assume the center of gravity (c.g.) follows the line shown in these illustrations.

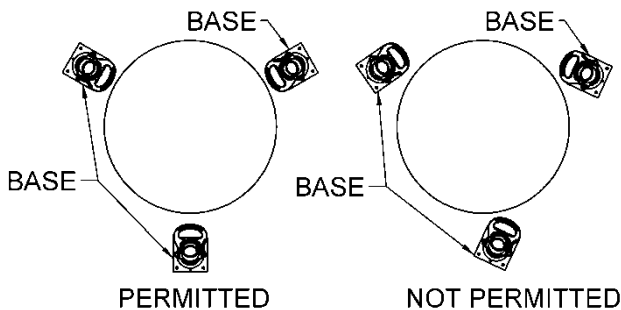


Always make certain that the center of gravity runs in as straight a line as possible from the eyebolt to the center of the hole (for lifting) or from the center of the support to the center of the triangle formed by the bases (for support).



NOT PERMITTED

When using the Tripod on uneven terrain, **always** make certain that you have adjusted the Tripod legs to compensate for the shift in the center of gravity.



When using the Tripod for Confined Space Rescue or any other lifting operation involving holes, **always** set up the Tripod legs and bases so that the bases are equally distant from each other and line up parallel to an imaginary tangent at the edge of the hole (as shown on the left). This way, when you attach the chain to the bases and the tripod comes under stress, the legs and bases of the tripod will not spin and de-stabilize the set-up.

LONGSHORE Strut – Spot Shore Load Ratings, 4:1 SF



The Female Hub (Feature “C” on Page 1) on top of the TriPod Head will not accept LONGSHORE Struts. If ACMETHREAD or LOCKSTROKE Struts are used in the Female Hub, with LONGSHORE Struts in the Three Clevis Hub (Feature “A” on Page 1), do not exceed the lowest rated top or bottom side load.

LONGSHORE Strut Length		Load Rating @ 4:1 SF	
Feet	Meter	LBS	KG
6	1.83	62,040	28,141
7	2.13	62,040	28,141
8	2.44	56,400	25,583
9	2.74	45,120	20,466
10	3.05	33,840	15,350
11	3.35	28,200	12,791
12	3.66	19,740	8,954
13	3.96	19,740	8,954
14	4.27	16,920	7,675
15	4.57	12,690	5,756
16	4.88	8,460	3,837

TRIPOD LIMITED WARRANTY

Each **TRIPOD** conversion kit or component thereof, manufactured by Paratech Incorporated, has been thoroughly inspected and properly adjusted before shipment to insure the highest quality and the greatest possible reliability.

Paratech Incorporated (hereinafter referred to as "Seller") hereby warrants the **TRIPOD** conversion kit or component thereof to the original retail buyer only against defects in material and workmanship under normal use and service for a period of five years from the date of purchase. This warranty shall constitute the sole warranty of the Seller with respect to the **TRIPOD** conversion kit or component thereof. **THE SELLER HEREBY DISCLAIMS AND EXCLUDES ALL OTHER WARRANTIES, EXPRESSED OR IMPLIED, INCLUDING ANY IMPLIED WARRANTY OR MERCHANTABILITY OR FITNESS FOR A PARTICULAR PURPOSE.** The Seller neither assumes nor authorizes any other person to assume for it any other obligations or liabilities in connection with the sale or use of this product.

Should there be any defects in the material or workmanship of the **TRIPOD** conversion kit, buyer should return the defective product to the factory for inspection with shipping prepaid within one year from the date of purchase. If inspection shows that the **TRIPOD** conversion kit or a component thereof is defective and that such defects were not caused by negligence, misuse, accident or unauthorized service, the product sold hereunder will be repaired or replaced at the option of the Seller, without charge, FOB at the factory, Frankfort, Illinois.

THIS REMEDY SHALL BE THE EXCLUSIVE REMEDY FOR BREACH OF WARRANTY WITH RESPECT TO THE TRIPOD CONVERSION KIT OR COMPONENTS THEREOF. THE SELLER SHALL NOT BE LIABLE FOR INCIDENTAL OR CONSEQUENTIAL DAMAGES RESULTING FROM ANY BREACH OF WARRANTY WITH RESPECT TO THE TRIPOD CONVERSION KIT AND COMPONENTS THEREOF FROM ANY DELAY IN THE PERFORMANCE OF THE REMEDY HEREUNDER.

PARATECH®

Paratech Incorporated
P.O. Box 1000
Frankfort, IL 60432 USA

Phone: 815.469.3911
Fax: 815.469.7748
www.paratech.com