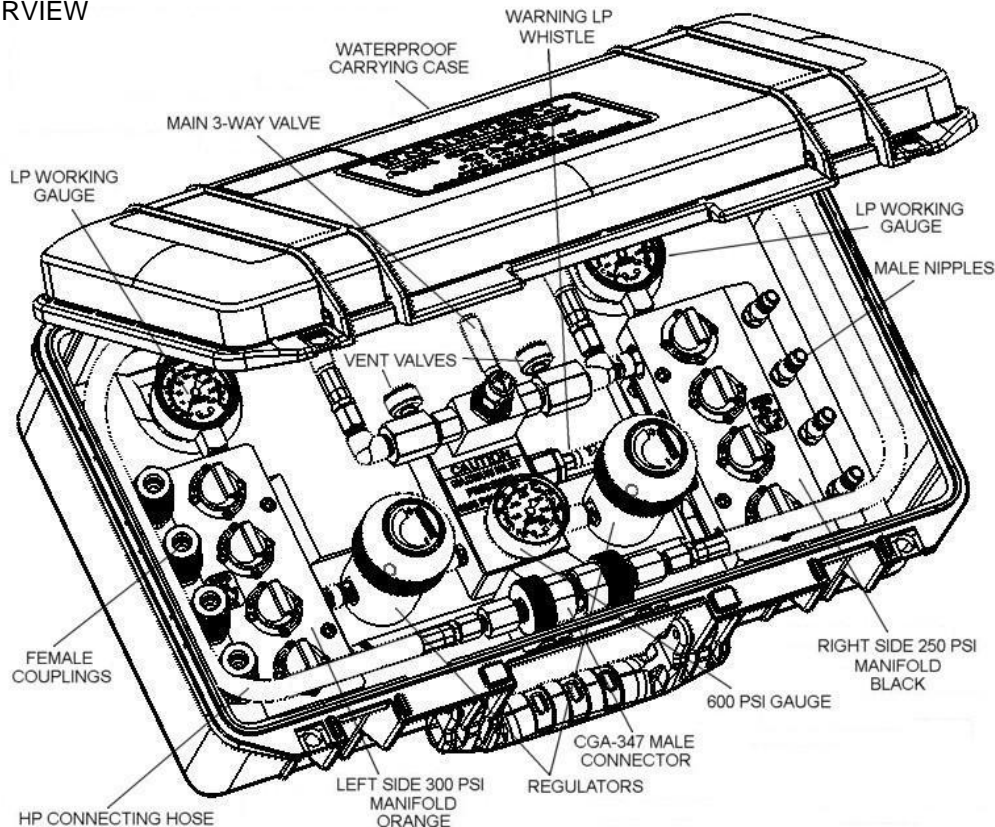


INSTRUCTION MANUAL FOR AIR CONTROL CASE P/N 22-895750

ACC OVERVIEW



Air Control Case (ACC) is to be used as an air distribution hub with two separate manifolds, each side having four (4) outlets controlled by its own pressure regulators. ACC can be connected to two (2) high pressure sources using HP hoses (provided) with CGA 5500 psi male connectors. Only one (1) source can be used at a time by selecting it with centrally located 3-way HP valve. Center HP manifold (black) with 3-way valve has a 6000-psi gauge and low pressure warning whistle. On each side of the center HP manifold, there is a vent valve, that must be used to relieve trapped HP air, before being disconnected.

Left side (orange) with female outlets is to be used primarily for Paratech Rescue Struts and air tools, and the right (black) manifold with male outlets is for Air Bags. Both manifolds have its own regulator, so desired pressure can be obtained by adjusting regulator's control knob. Left manifold is limited by its safety relieve valve to 300 psi (20.7 bar) and the right side is limited to 250 psi (17.2 bar). Both LP manifolds incorporate its own gauges enabling proper adjustment to a desired output pressure. Key components are marked with appropriate informative labels.

BASIC SAFETY PRECAUTIONS

These are recommended general safety precautions that personnel must understand and apply during all phases of operation and maintenance:

- Read Instruction before using ACC – check equipment description and function on internal label
- Keep the work area clean when using (or maintaining) ACC.
- Equipment operation must always be conducted by trained personnel.
- Personnel not directly involved in operation of the ACC should keep a safe distance from the work area.
- Wear proper apparel and safety goggles.
- Use proper and safe pressure for selected equipment.
- During operation, comply to all rules related to operating HP equipment.
- Do not carry the ACC by the hose or any other internal component – use carrying handle (on the case)

WARNING:

This equipment is to be used only by trained personnel.

Never try to disconnect the ACC HP hose from external air source before closing off the source first, then closing main 3-way valve (2) on ACC and relieving remaining pressure in the hoses by vent valves (3).

Serious injury or possible death could result if proper procedures are not followed.

ACC OPERATION PROCEDURES:

- For item numerical indicator & description refer to instructional label placed on the inside of the case's lid.
- To operate ACC case, open the top case lid and connect HP (high pressure) hose (1) to CGA outlet on external HP air source (like air cylinder).
- Make sure that vent valve (3) is closed and lever on 3-way valve (2) is in closed position at 90° to input connections.
- Make sure that all 90° ON/OFF valve knobs (11) on both manifolds are in closed position (as indicated on the round labels (black X) and regulator knob (5) is unscrewed to "0" pressure (check that on the pressure gauge (6)).
- Attach LP (low pressure) hose / hoses to proper couplings on chosen manifold.
- Open fully 3-way valve (2) toward incoming HP air source and check HP air pressure on center air gauge (4)
- Adjust desired pressure with regulator's knob (5) attached to a chosen manifold.
- Open 90° Valve / Valves to connected hoses only to charge connected hoses with working air.
- Two manifolds and total of eight (8) hoses can be used at the same time if required, but only 4 per side.
- To shut off the system, first close the source air, then turn 3-way valve (2) to closed position & relieve remaining pressure in HP hoses with vent valves (3), then disconnect HP hoses (1) from the source.
- Reduce both regulator's pressure to "0", turn all 90° valves to closed position and disconnect LP all hoses.
- If the LP warning whistle (12) will sound, air supply felled to \approx 600 psi and switching to a new source is necessary.
- After using ACC, make sure no pressure remains in any of the pneumatic components.
- Overall dimensions of the closed ACC are: 22 X 14 X 7.5 inches (558 X 355 x 190.5 mm).

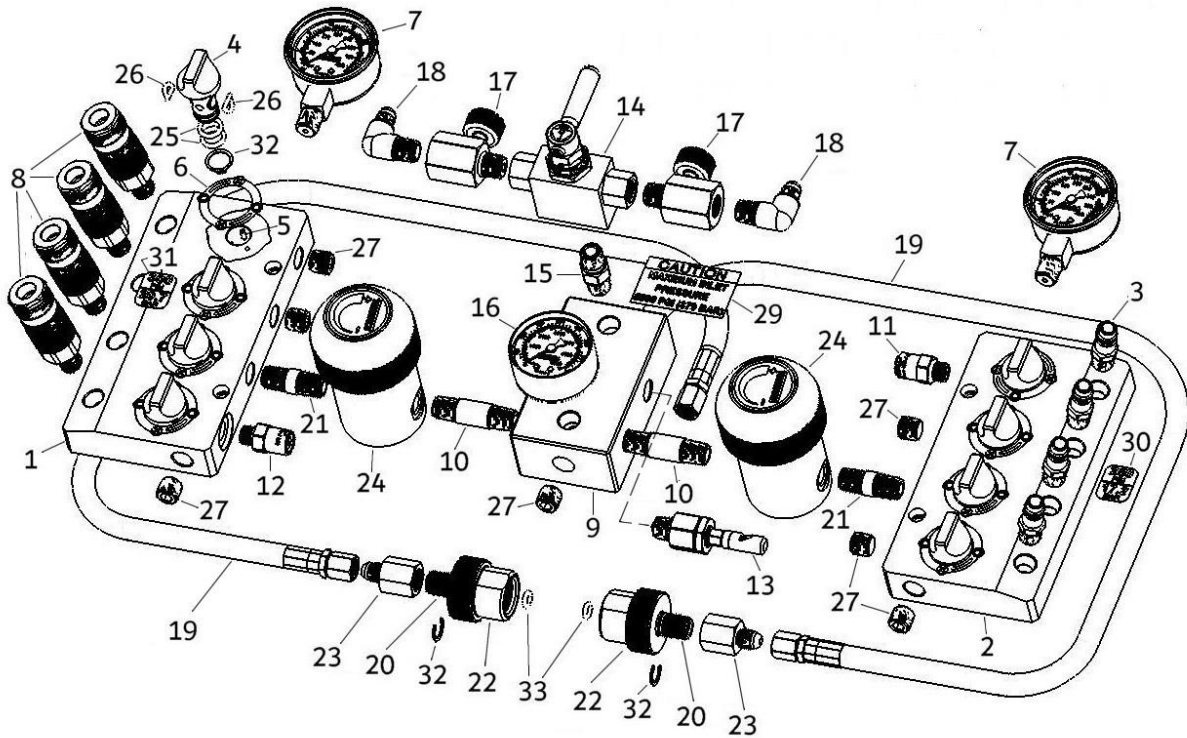
TOOL MAINTENANCE:

Keep all ACC components clean and dry. If repairs are needed, send ACC to Paratech for service.

AIR CONTROL CASE EXPLODED VIEW



PNEUMATIC SUB-ASSEMBLY COMPONENTS



ITEM	QTY	PN 22-	DESCRIPTION
1	1	895754L	MANIFOLD ORANGE, ACC
2	1	895754R	MANIFOLD BLACK, ACC
3	4	895681	NIPPLE WIH 1/4 NPT
4	8	890486Y	KNOB, YELLOW
5	8	890935	SPRING PIN 3/32 X 5/16 S.S.
6	8	890487	RETAINING RING EXT FOR 9/16" SHAFT
7	2	890617	GAUGE 400 PSI / 28 BAR 1/4 NPT L
8	4	890704V	CPLG 1/4" NPT M OPEN
9	1	895757	MANIFOLD HP, ACC
10	2	895769	PIPE NIPPLE 1/4 NPT 2" LG SS
11	1	890250	VENT RELIEVE VALVE 250 PSI
12	1	890589	VENT RELIEVE VALVE 300 PSI
13	1	801084	LOW PRESSURE WARNING WHISTLE
14	1	801076	3-WAY BALL VALVE 1/4 NPT S.S.
15	1	057074	CONNECTOR 1/4 NPT M S.S.
16	1	890613	GAUGE 6000 PSI
17	2	801078	BLEED VALVE 6000 PSI

ITEM	QTY	PN 22-	DESCRIPTION
18	2	895768	90° ELBOW 37° FLARE JIC TUBE
19	2	801088	HOSE FOR ACC
20	2	895334	NIPPLE 5500 PSI CGA
21	2	895763	PIPE NIPPLE 1/4 NPT X 1.5" LG SS
22	2	895336	NUT, 5500 PSI CGA 347 SHORT
23	2	895766	ADAPTER 1/4" NPT X 37° FLR STRAIGHT
24	2	895780	REGULATOR FOR ACC
25	16	550174	O-RING AS-013 (7/16 X .070) BN70
26	16	890489	O-RING 5/16 X .070 POLYURETHANE 90
27	7	895767	1/4 NPT PIPE PLUG
28	8	895759	LABEL FOR KNOB POSITION
29	1	895757L	LABEL 'CAUTION INLET PRESSURE'
30	1	250PSI2	LABEL 250 PSI
31	1	300PSI	LABEL 300 PSI
32	2	015779	RET CRESCENT RING FOR 1/2" SHAFT
33	2	550195	O-RING 1/4" X .070 POLYURETHANE 90

ACC REGULATOR EXPLODED VIEW

Paratec
1025 La
Custom
Phone: 4
E-mail: p



ITEM	QTY	PN 22-	DESCRIPTION
1	1	895782	BODY, ACC REGULATOR
2	1	895278	SET SCR 10-24 X .25 CONE SS

PARATECH®

Paratech Incorporated
1025 Lambrecht Road, Frankfort, IL 60423 USA
Customer Service: 800.435.9358
Phone: 815.469.3911 Fax: 815.469.7748
E-mail: paratech@paratech.us

Paratech Europe, Branch of Paratech Inc.
P.O. Box 174, 5260 Odense S, Denmark
Email: paratech@paratech.dk



AIR CONTROL CASE LIMITED WARRANTY

Each Air Control Case (ACC) or component thereof, manufactured by Paratech Incorporated, has been thoroughly inspected and properly adjusted before shipment to ensure the highest quality and the greatest possible reliability.

Paratech Incorporated (hereinafter referred to as "Seller") hereby warrants the **Air Control Case** or component thereof to the original retail buyer only against defects in material and workmanship under normal use and service for a period of one year from the date of purchase. This warranty shall constitute the sole warranty of the Seller with respect to the **Air Control Case** or component thereof. **THE SELLER HEREBY DISCLAIMS AND EXCLUDES ALL OTHER WARRANTIES, EXPRESSED OR IMPLIED, INCLUDING ANY IMPLIED WARRANTY OR MERCHANTABILITY OR FITNESS FOR A PARTICULAR PURPOSE.** The Seller neither assumes nor authorizes any other person to assume for it any other obligations or liabilities in connection with the sale or use of this product.

Should there be any defects in the material or workmanship of the **Air Control Case**, buyer should return the defective product to the factory for inspection with shipping prepaid within one year from the date of purchase. If inspection shows that the **Air Control Case** or a component thereof is defective and that such defects were not caused by negligence, misuse, accident or unauthorized service, the product sold hereunder will be repaired or replaced at the option of the Seller, without charge, FOB at the factory, Frankfort, Illinois.

THIS REMEDY SHALL BE THE EXCLUSIVE REMEDY FOR BREACH OF WARRANTY WITH RESPECT TO THE AIR CONTROL CASE OR COMPONENTS THEREOF. THE SELLER SHALL NOT BE LIABLE FOR INCIDENTAL OR CONSEQUENTIAL DAMAGES RESULTING FROM ANY BREACH OF WARRANTY WITH RESPECT TO THE AIR CONTROL CASE AND COMPONENTS THEREOF FROM ANY DELAY IN THE PERFORMANCE OF THE REMEDY HEREUNDER.